

P.V. & G.P.V.

3300/2200/1500/1000

Go to PV and GPV:

3300

Capillar oil sistem

2200

Capillar oil sistem

2200

Drip oil system

3300

Drip oil system

1000 AL

2200 AL

1500 AL

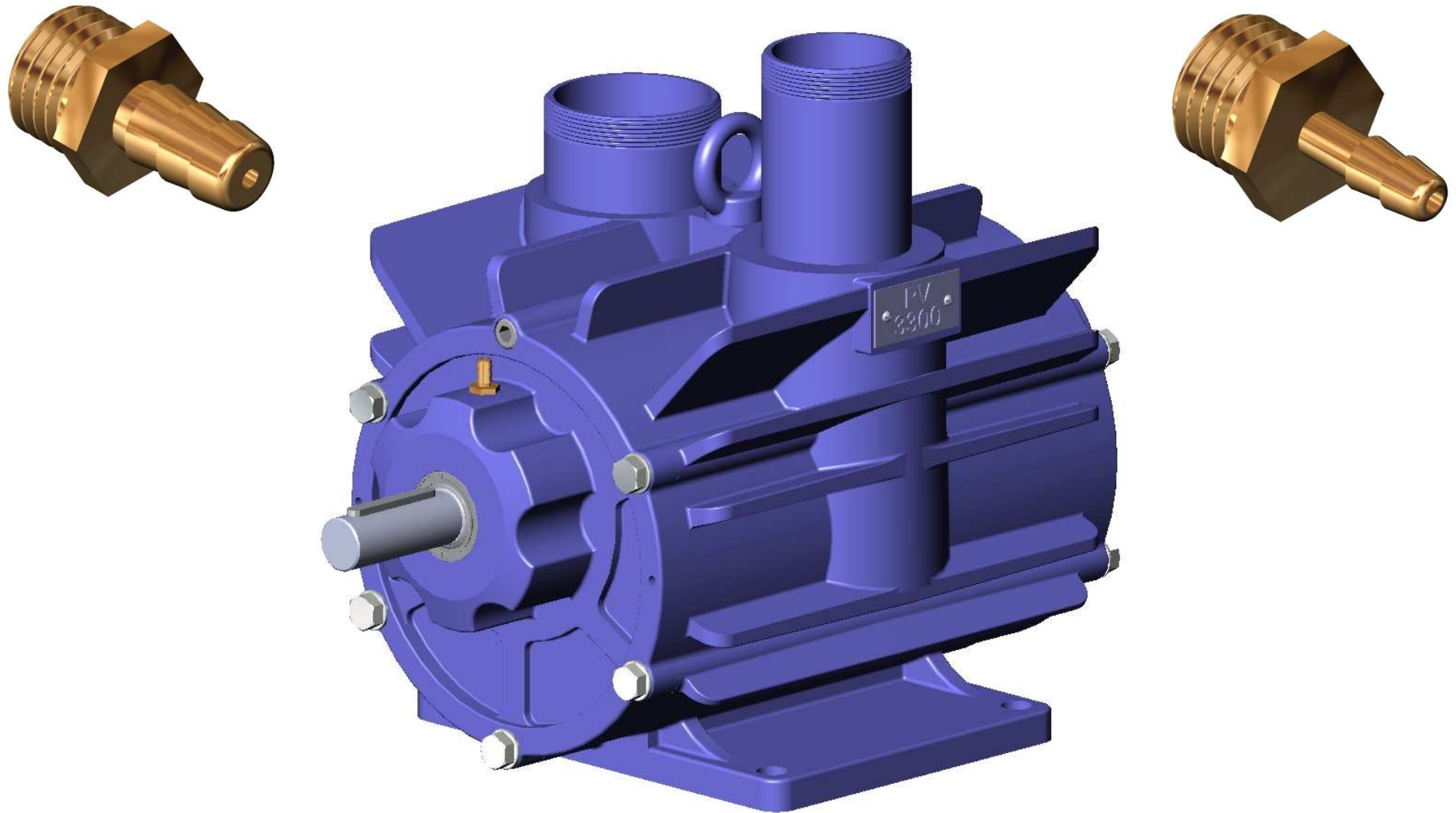
1500

1000

750

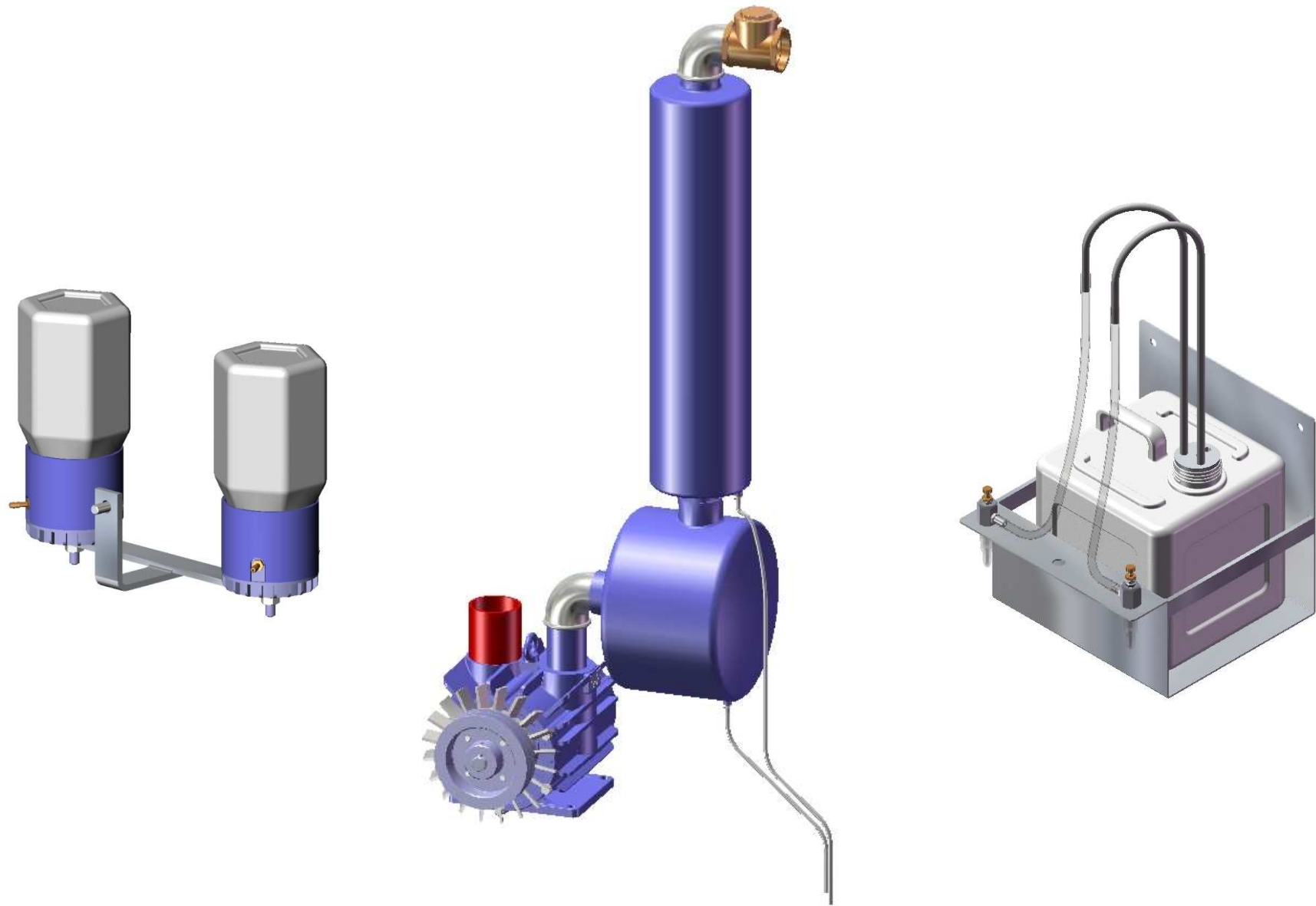
500

P.V.3300 with nipples for capillary system



[Cod.1001300] P.V.3300 ONLY PUMP naked + [Cod.5000107.00] Nipples 14X27 INN.Ø5

P.V.3300



[Cod.1000300] P.V. 3300 ONLY PUMP complete - with two Capillary oil system

GPV 3300 with two capillar oil system - on bracket

- With motor Hp 7.5 - 380V - nl/min 2700

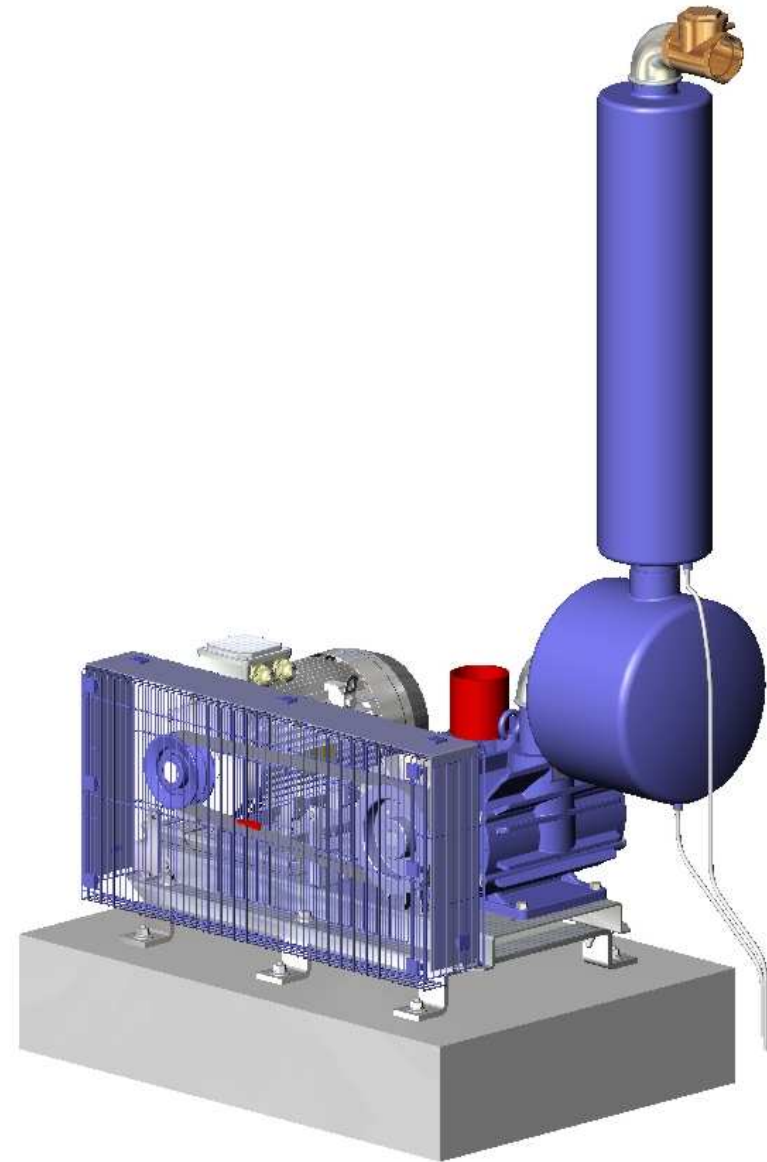
[Cod.1000301]

- With motor Hp 7.5 - 380V - nl/min 2950

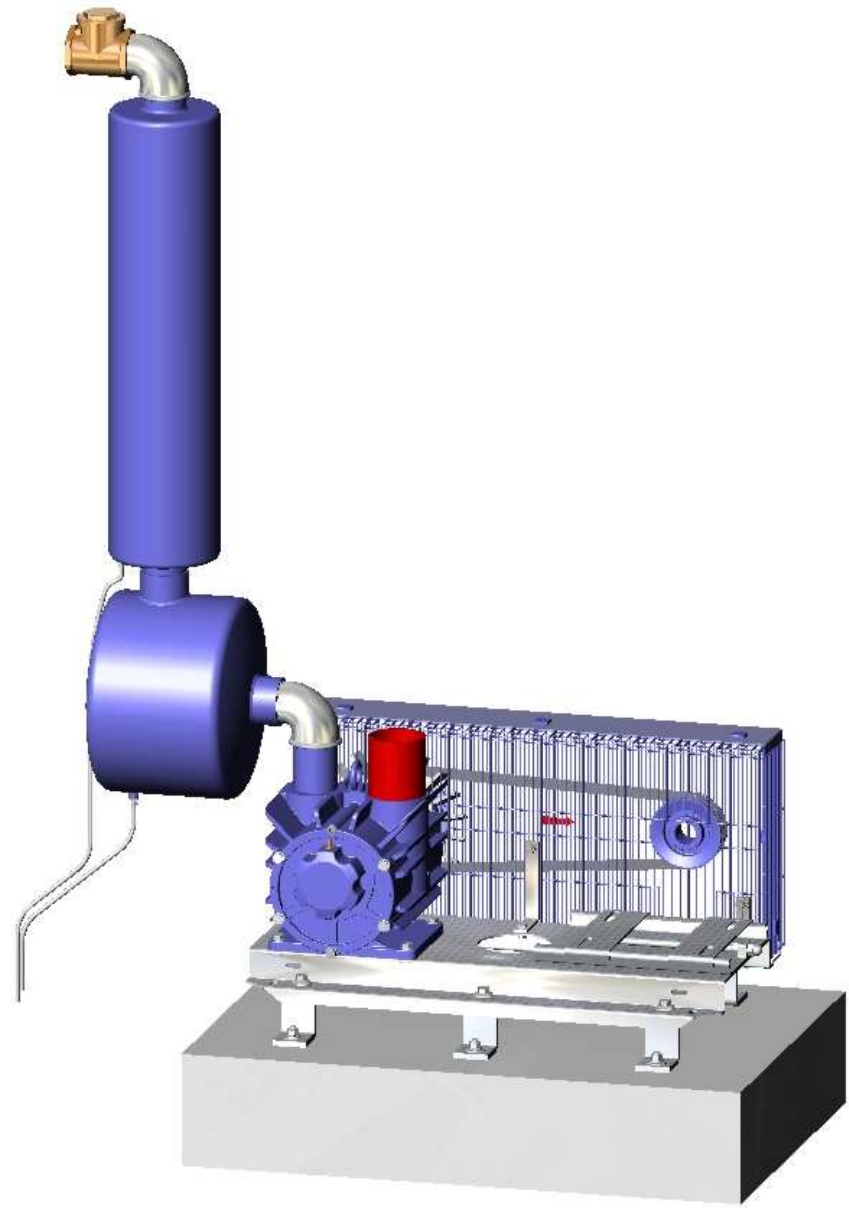
[Cod.1000302]

- With motor Hp 10 - 380V - nl/min 3300

[Cod.1000303]



G.P.V.3300



[Cod.1000304] G.P.V.3300 ON BRACKET - with two capillary oil system

GPV 3300 with two capillar oil system - on tank 110 litres

- With motor Hp 7.5 - 380V - nl/min 2700

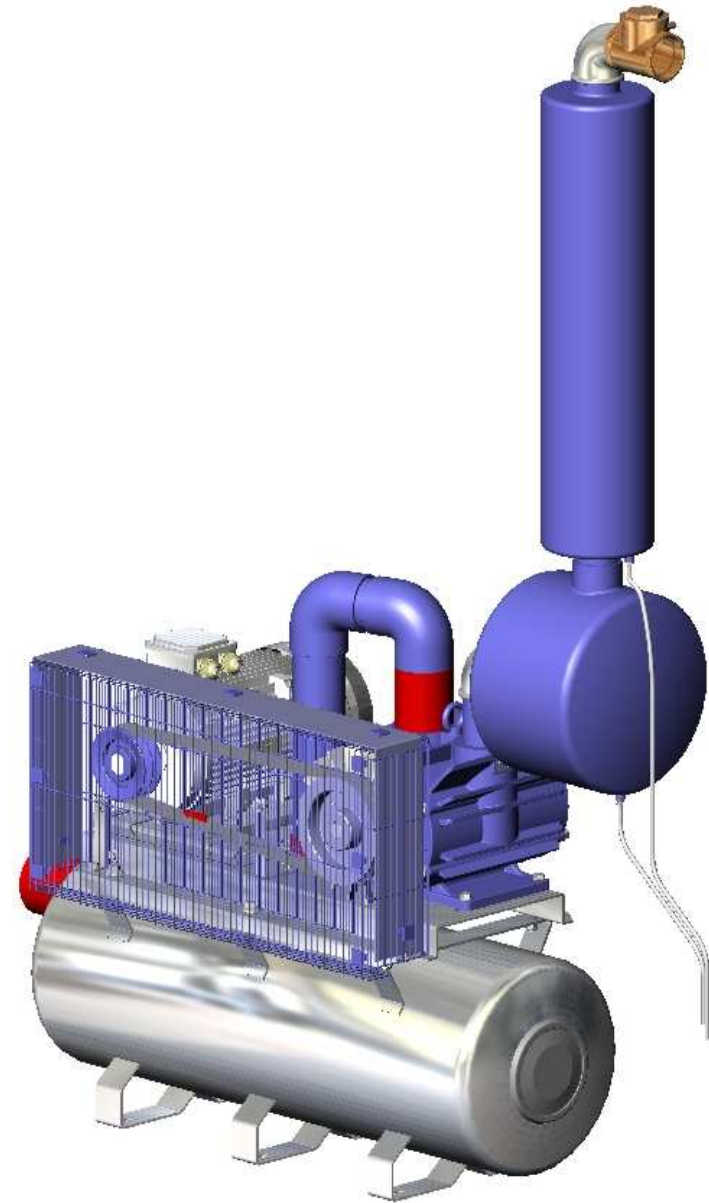
[Cod.1000305]

- With motor Hp 7.5 - 380V - nl/min 2950

[Cod.1000306]

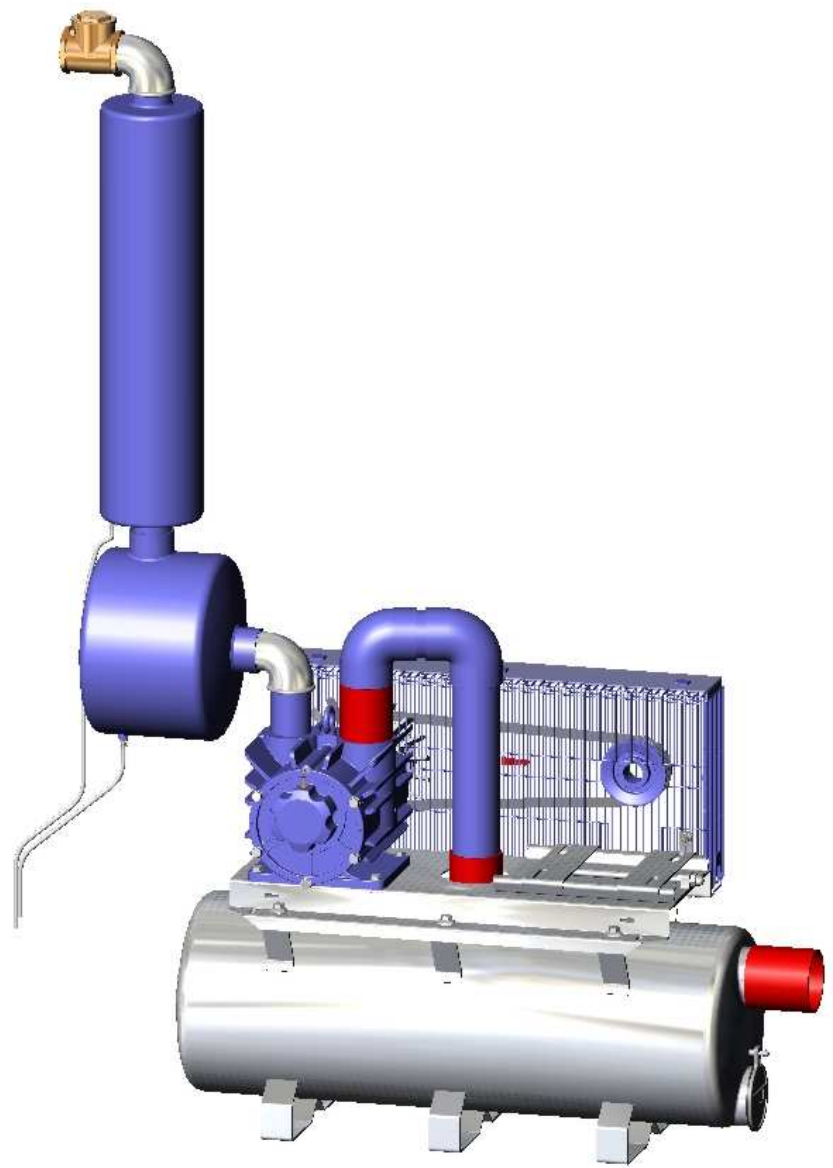
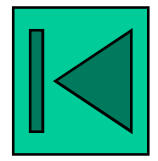
- With motor Hp 10 - 380V - nl/min 3300

[Cod.1000307]



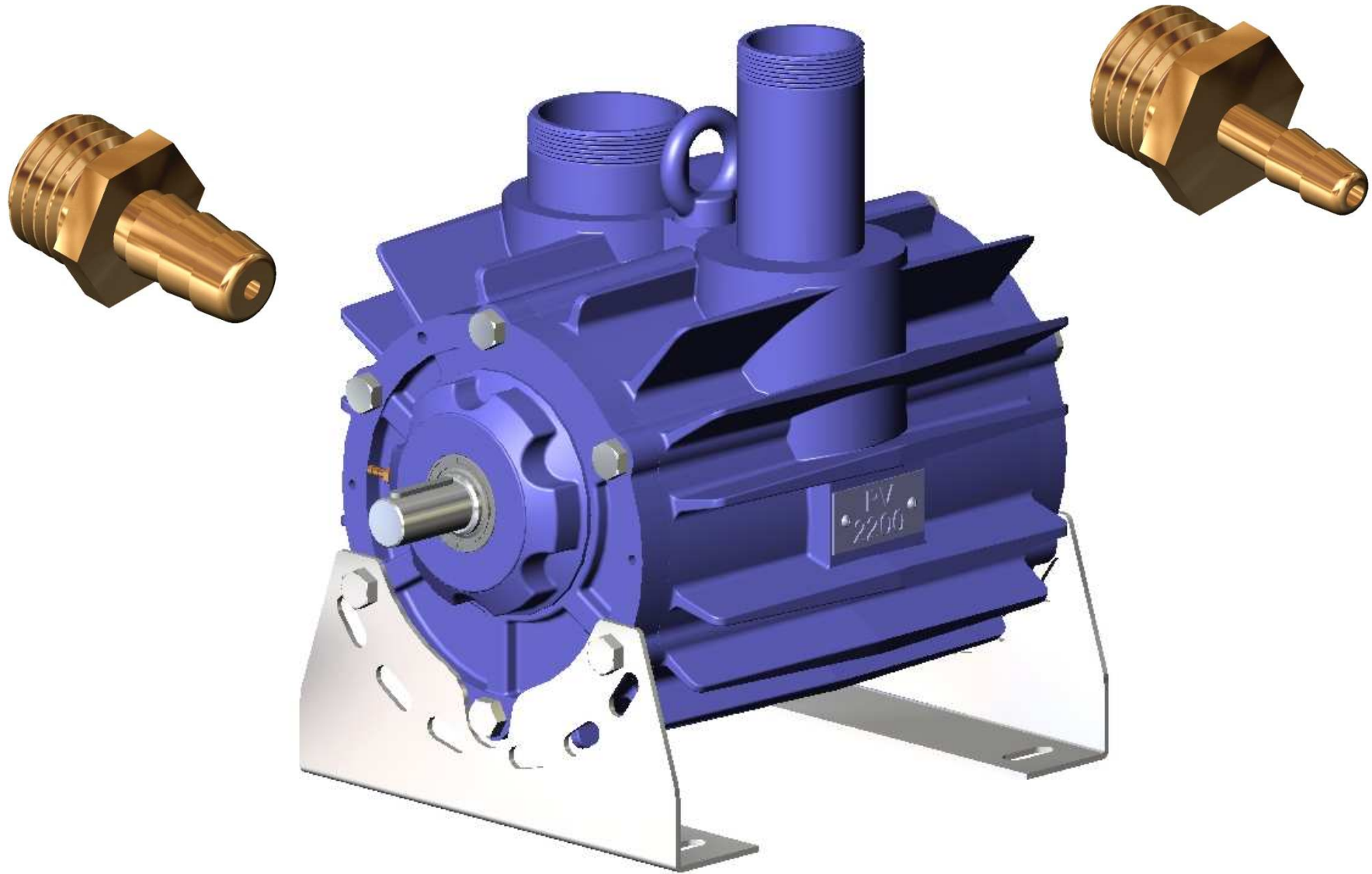
adiprene sleeves outlet tank: 4" - 110 mm

G.P.V.3300



[Cod.1000308] G.P.V.3300 ON TANK Lt.110 without el.motor with two capillary oil system

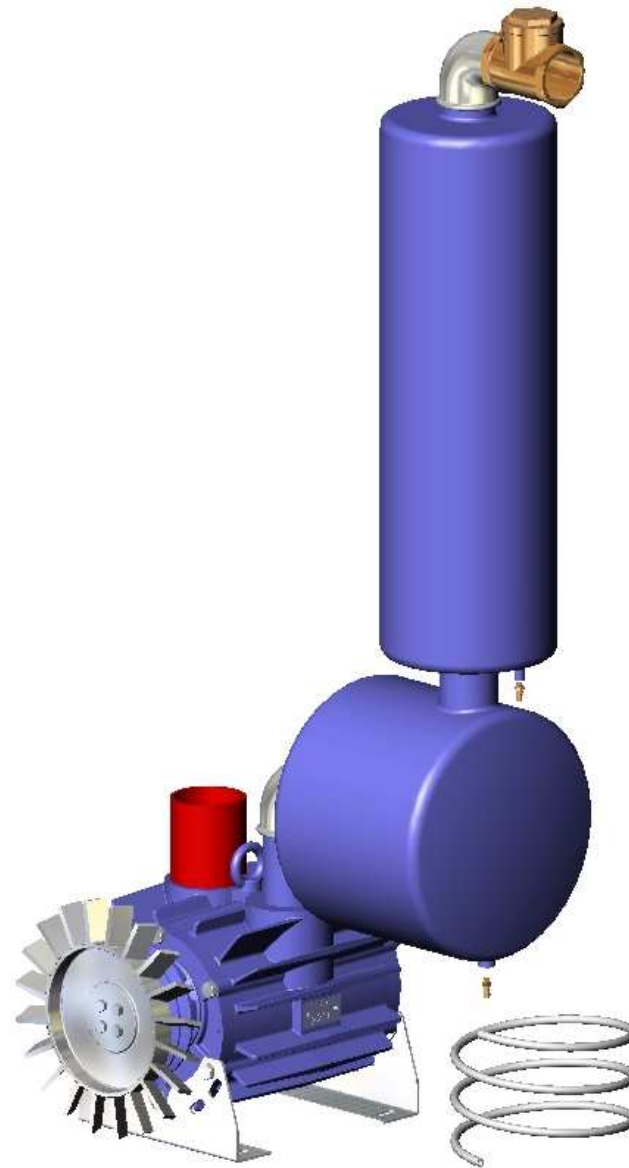
P.V.2200 with nipples for capillary system



[Cod.1001100] P.V. 2200 ONLY PUMP naked + [Cod.5000107.00] Nipples 14X27 INN.Ø5

P.V.2200

adiprene sleeves inlet: 2" 1/2



n return outlet valve: 2" GAS

[Cod.1000100] P.V.2200 ONLY PUMP complete with capillary system

G.P.V.2200 ON BRACKET with capillary system

- With motor Hp 5.5 - 380V - nl/min 1800

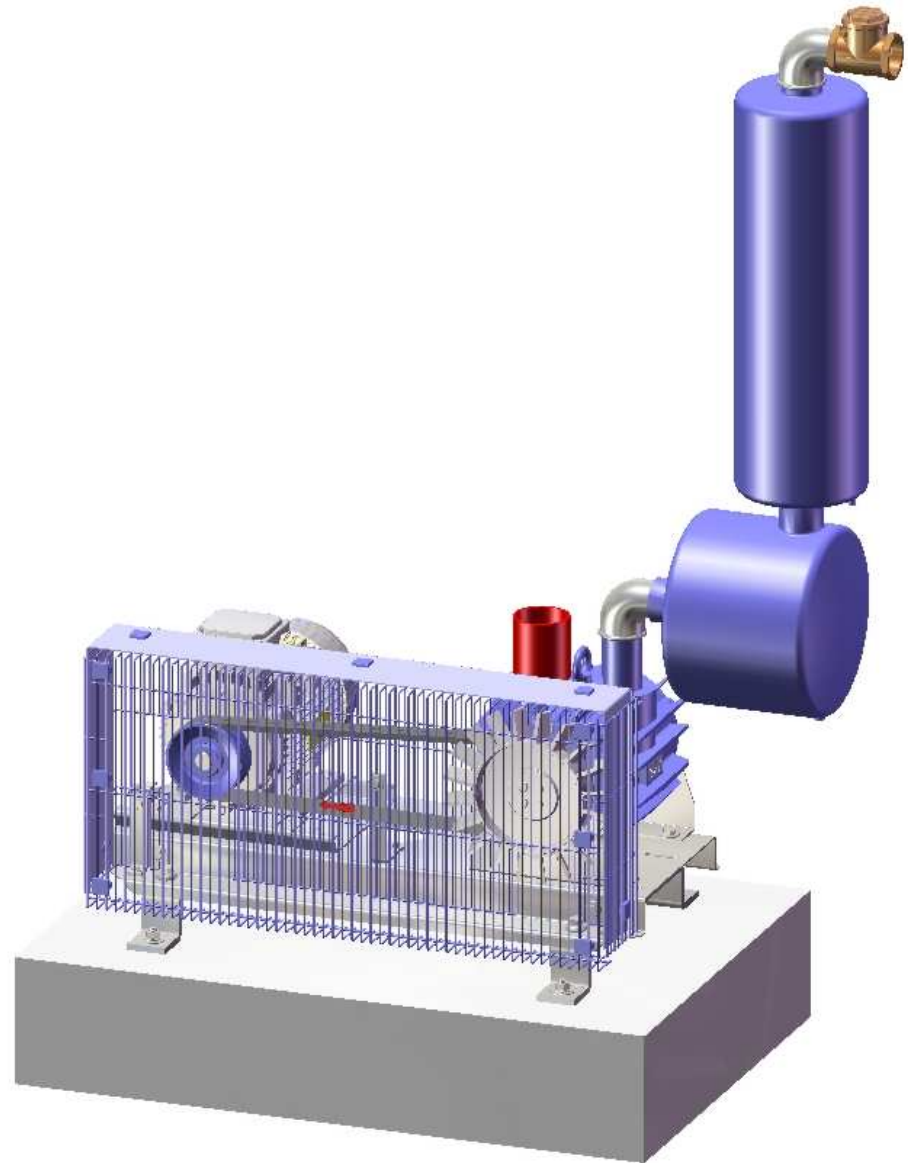
[Cod.1000101]

- With motor Hp 5.5 - 380V - nl/min 2000

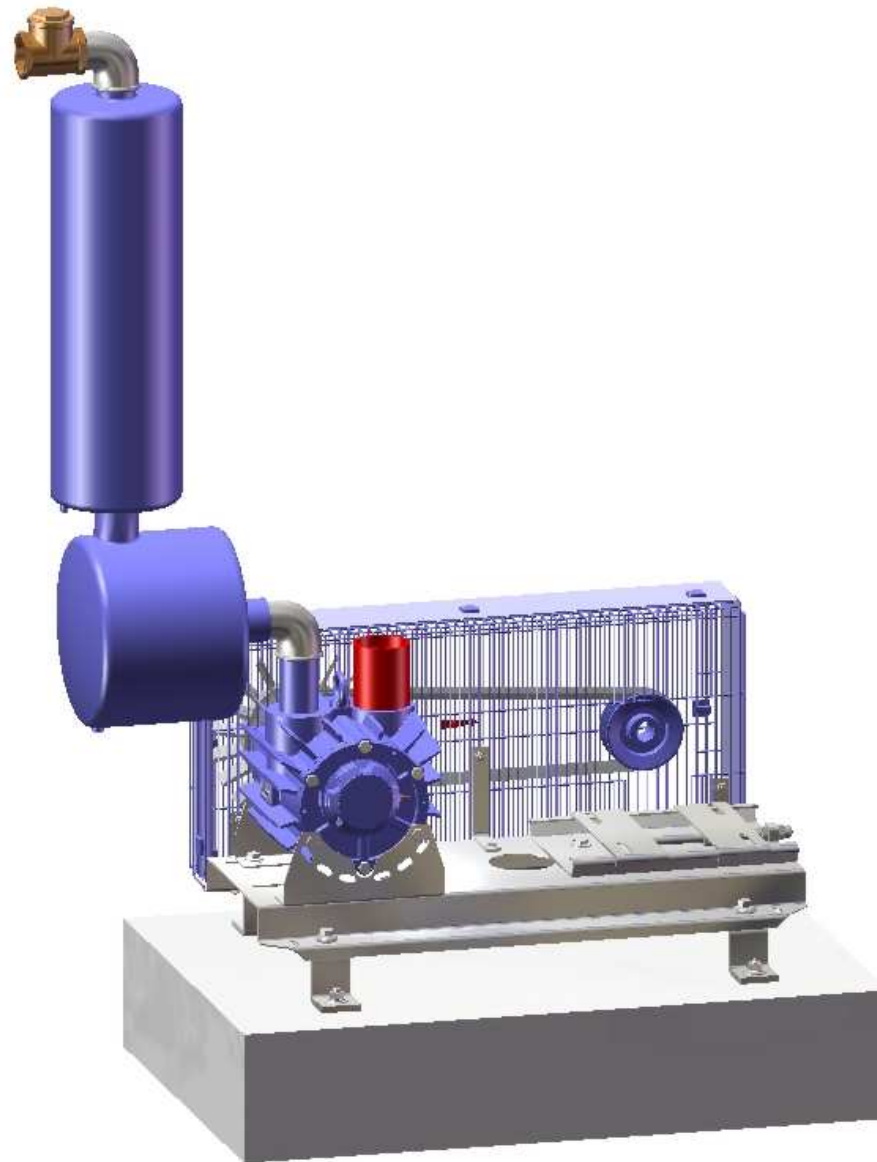
[Cod.1000102]

- With motor Hp 7.5 - 380V - nl/min 2200

[Cod.1000103]



G.P.V.2200



[Cod.1000104] G.P.V.2200 ON BRACKET without el.motor with capillary system

G.P.V.2200 ON TANK Lt.85 with capillary system

- With motor Hp 5.5 - 380V - nl/min 1800

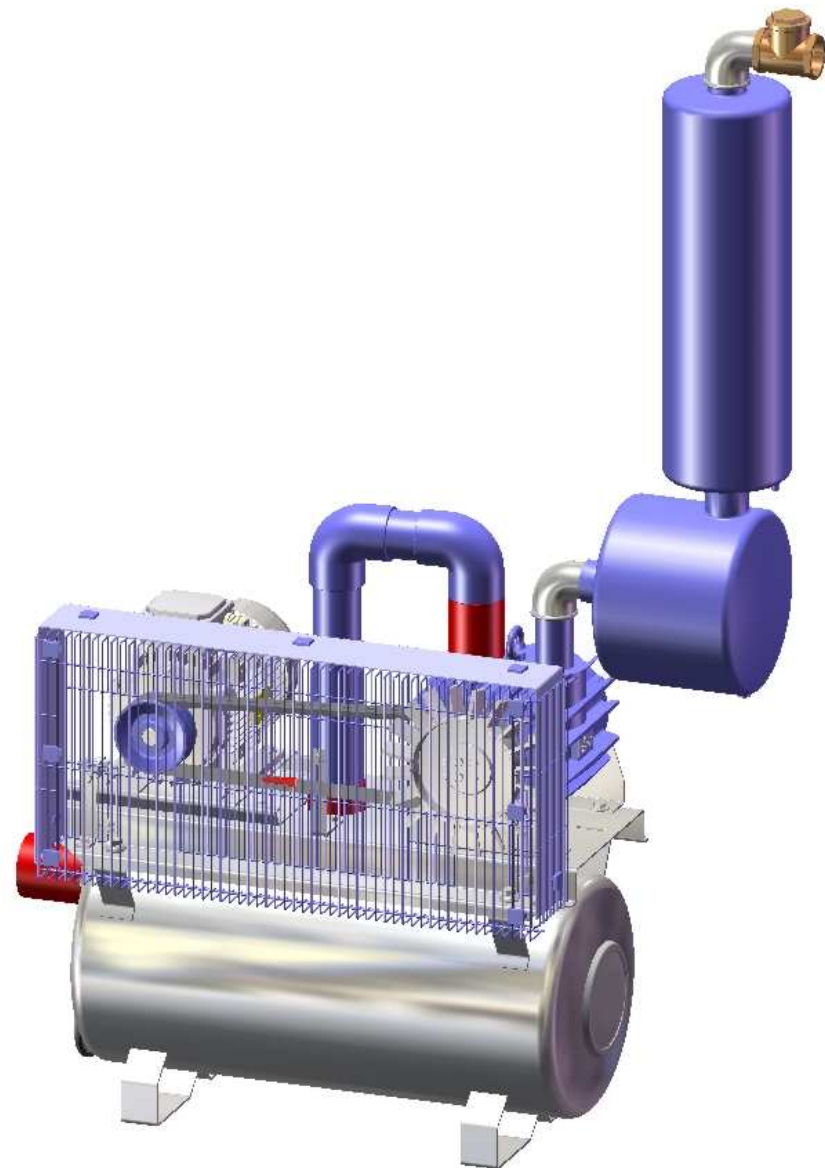
[Cod.1000105]

- With motor Hp 5.5 - 380V - nl/min 2000

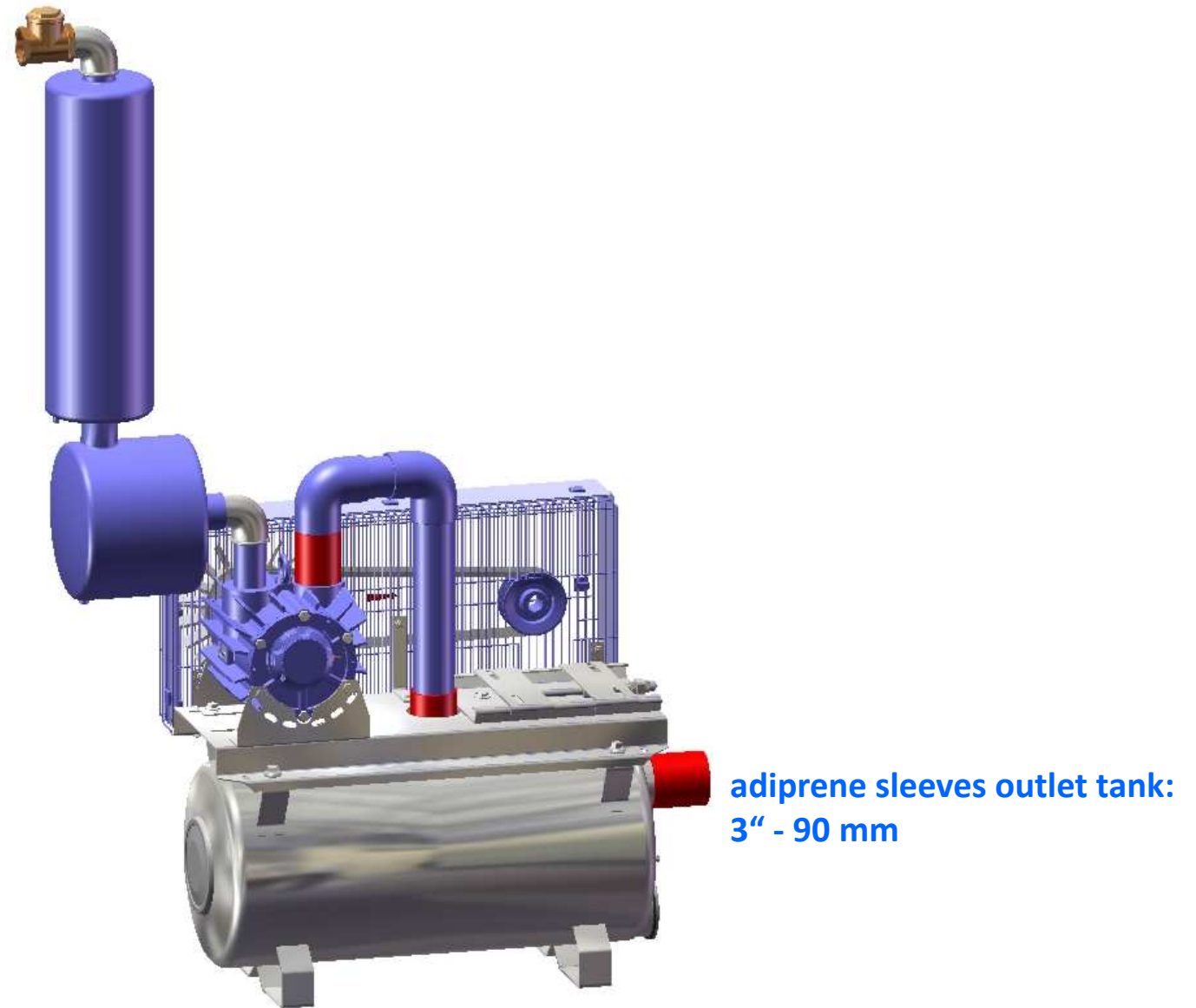
[Cod.1000106]

- With motor Hp 7.5 - 380V - nl/min 2200

[Cod.1000107]



G.P.V.2200



adiprene sleeves outlet tank:
3" - 90 mm

[Cod.1000108] G.P.V.2200 ON TANK Lt.85 without el.motor with capillary system

G.P.V.2200 ON TANK Lt.110 with capillary system

- With motor Hp 5.5 - 380V - nl/min 1800

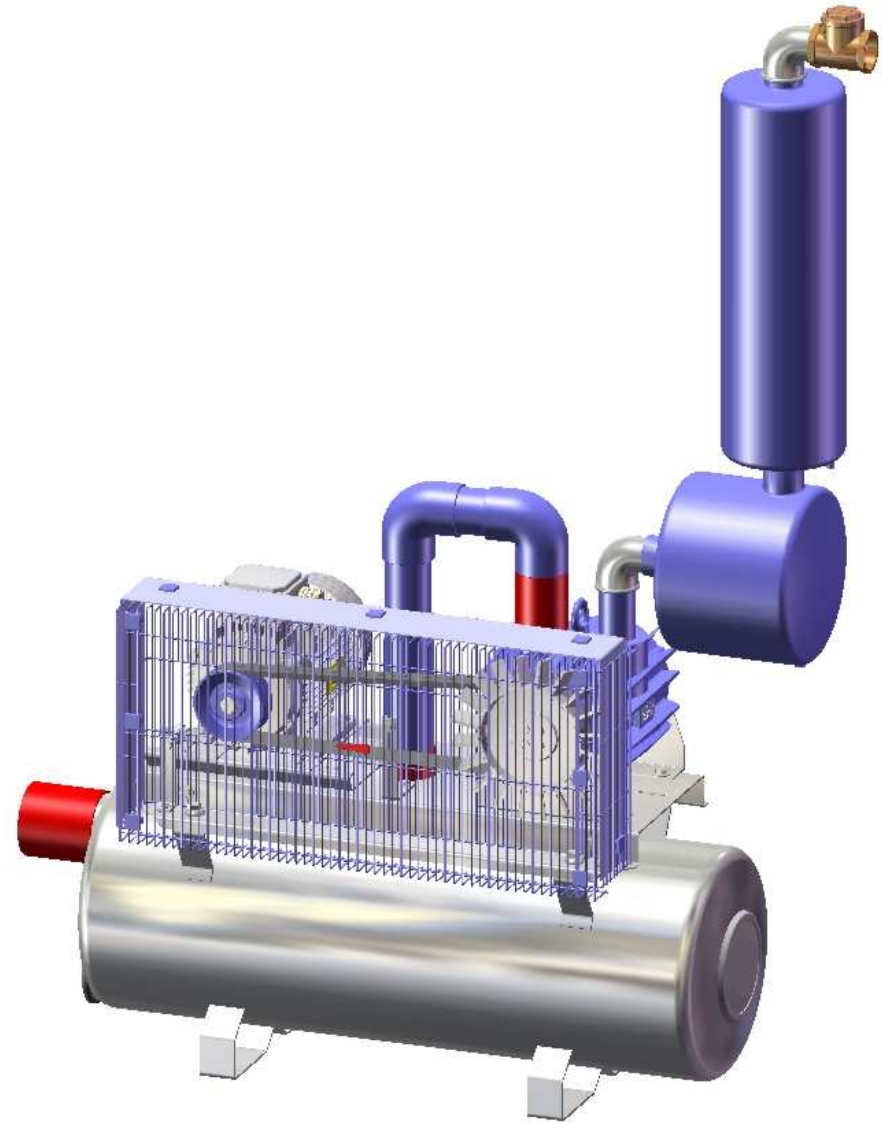
[Cod.1000130]

- With motor Hp 5.5 - 380V - nl/min 2000

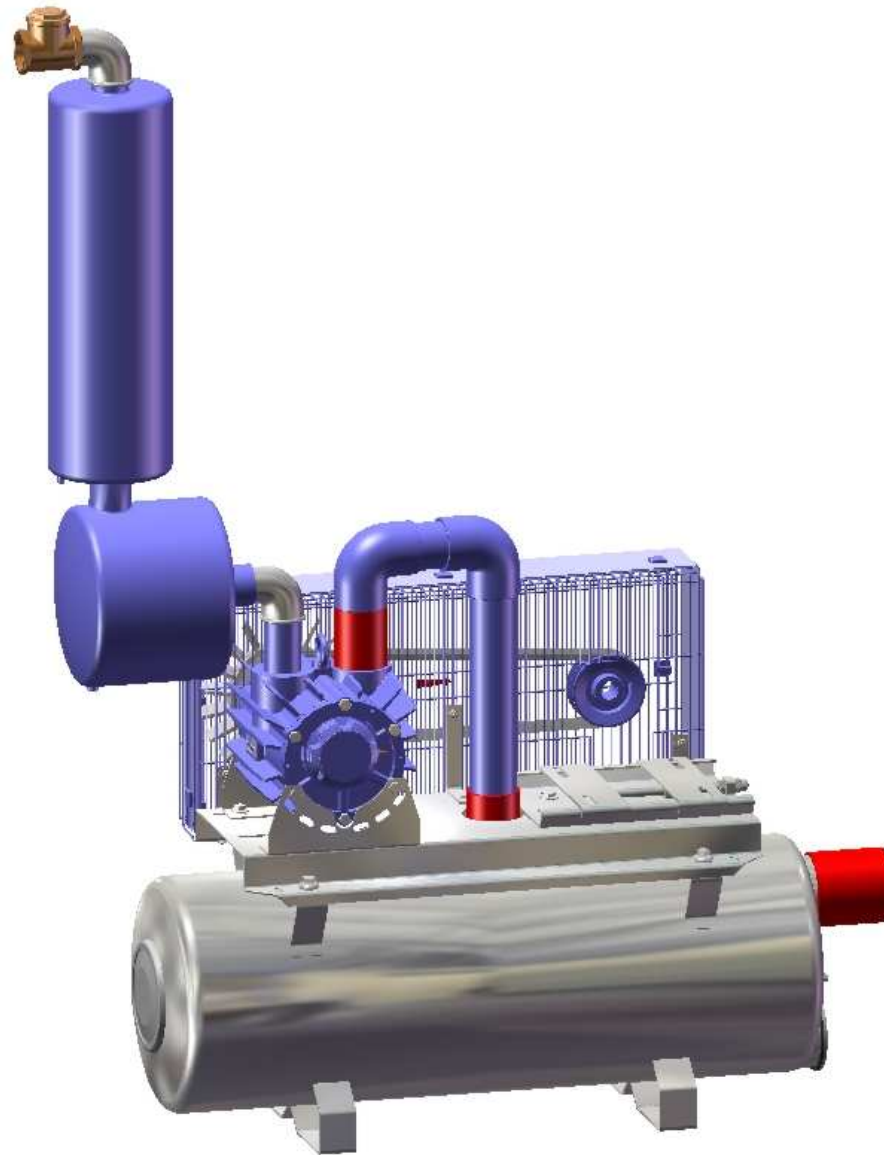
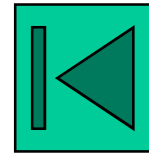
[Cod.1000131]

- With motor Hp 7.5 - 380V - nl/min 2200

[Cod.1000132]

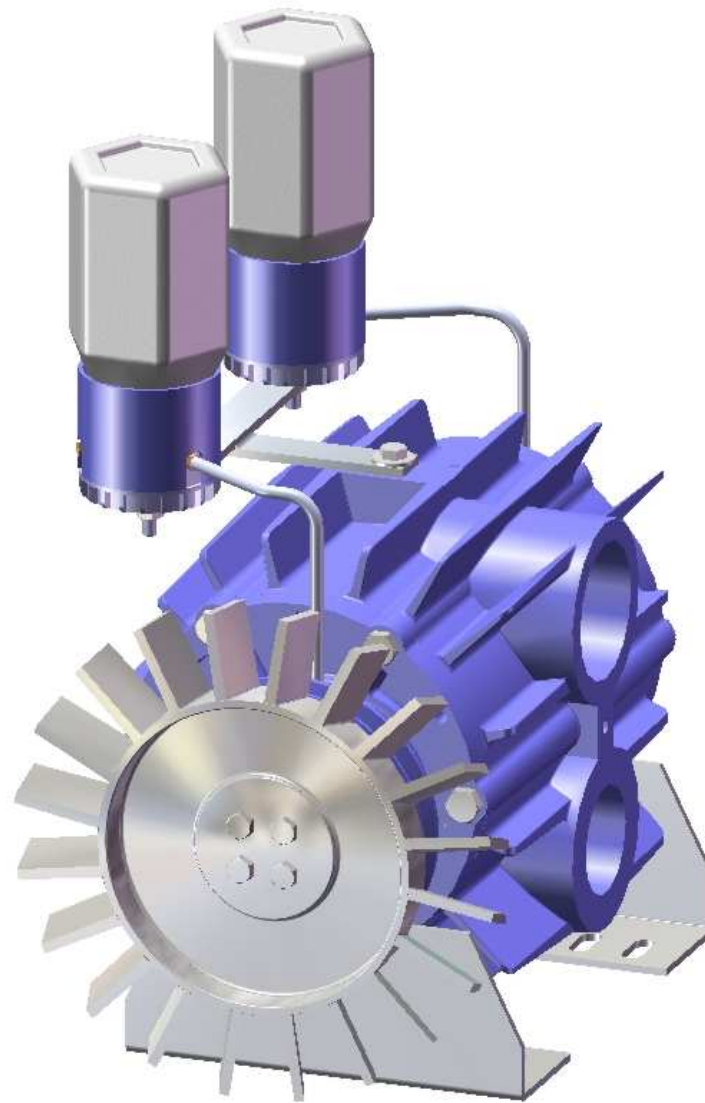


G.P.V.2200



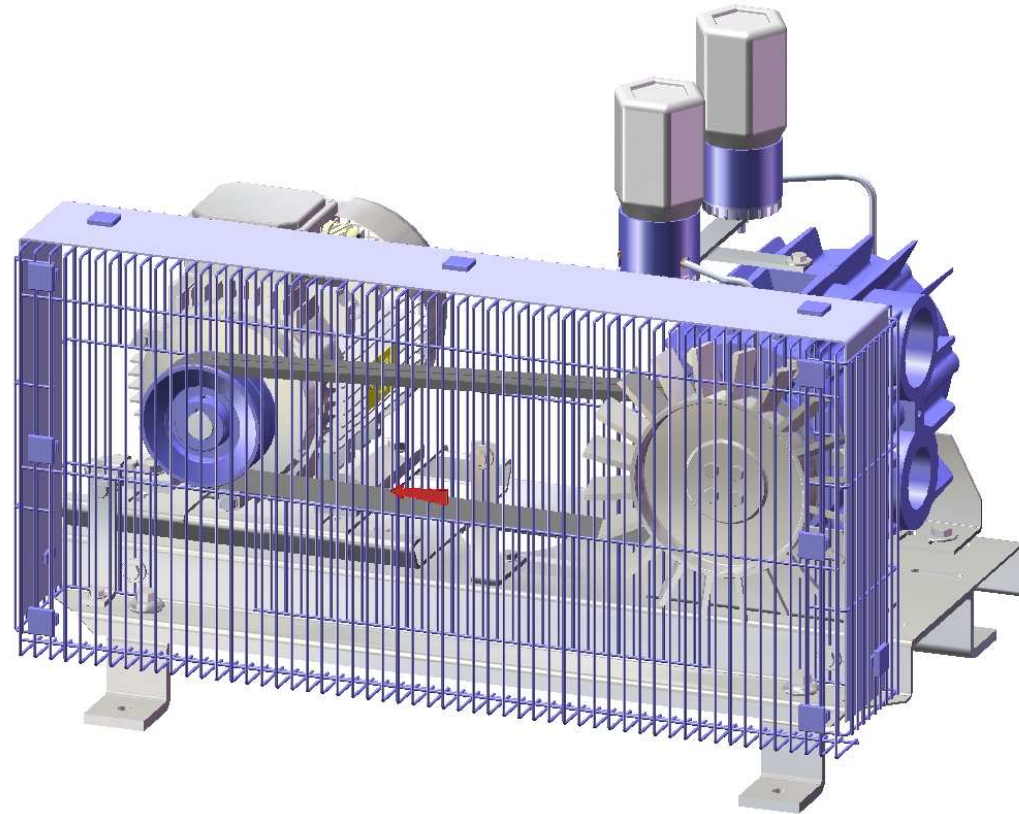
[Cod.1000133] G.P.V.2200 ON TANK Lt.110 - without el.motor - with capillary system

P.V.2200 AL



[Cod.1000208] G.P.V.2200 AL ONLY with PULLEY 150 2B and Capillary Oiler

G.P.V.2200 AL ON BRACKET with Capillary Oiler



- With motor Hp 5.5 - 380V - nl/min 1800

[Cod.1000209]

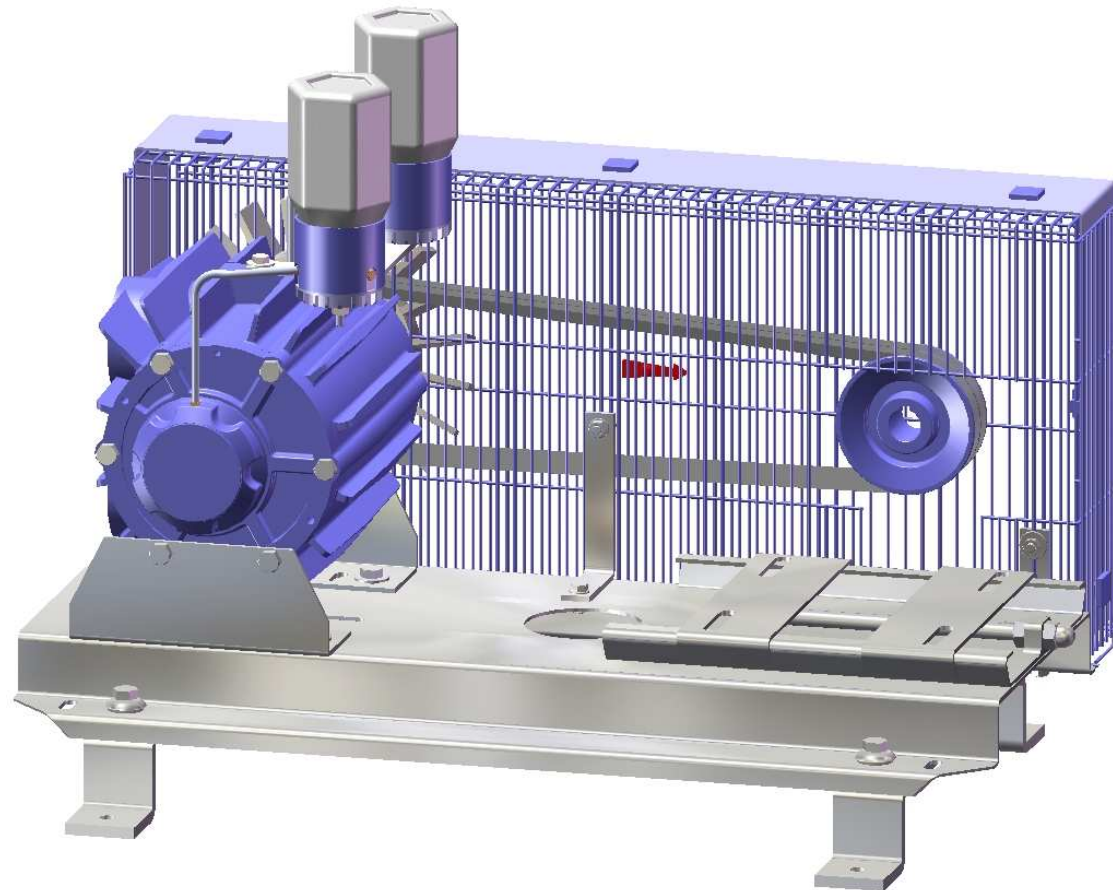
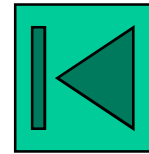
- With motor Hp 5.5 - 380V - nl/min 2000

[Cod.1000212]

- With motor Hp 7.5 - 380V - nl/min 2300

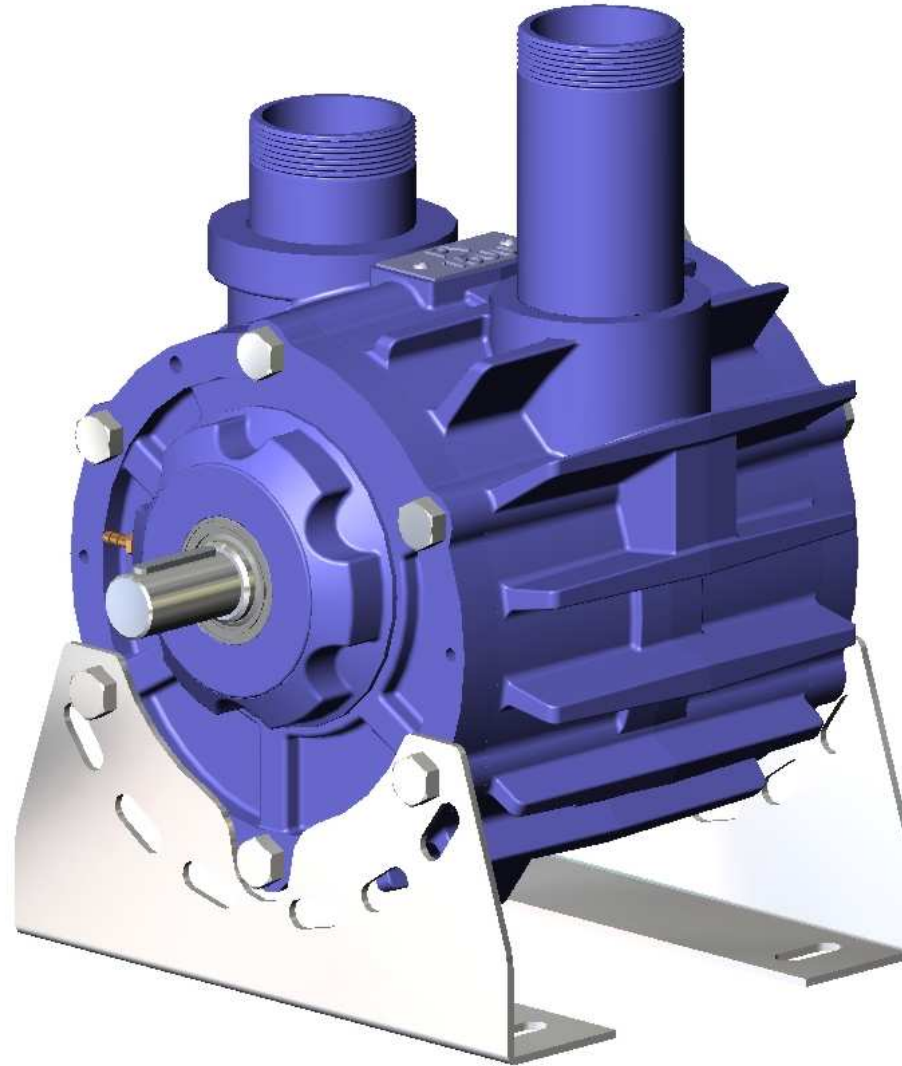
[Cod.1000210]

G.P.V.2200 AL



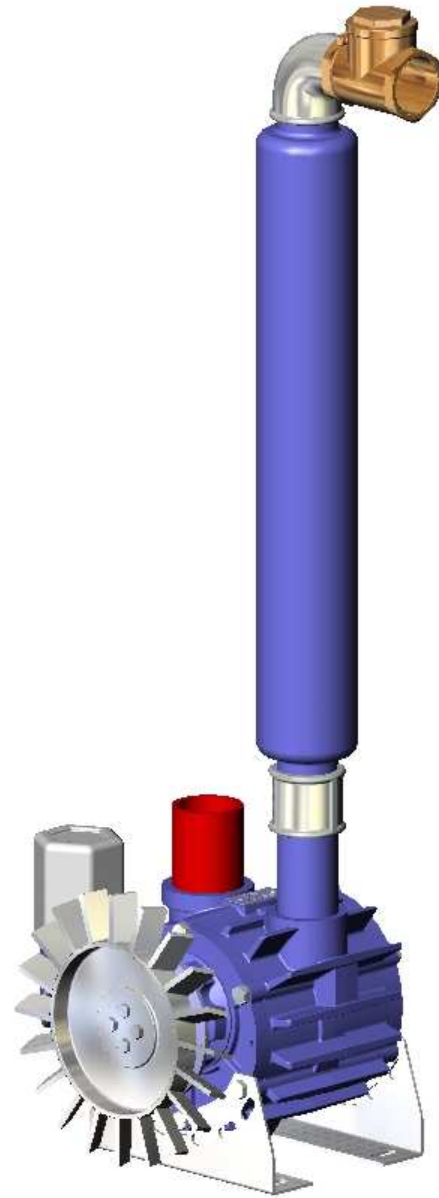
[Cod.1000211] G.P.V.2200 AL ON BRACKET without el.motor with Capillary Oiler

P.V.1500 with nipples for capillary system



[Cod.1000019] P.V.1500 ONLY PUMP naked + [Cod.5000107.00] Nipples 14X27 INN.Ø5

P.V.1500



[Cod.1000020] P.V.1500 ONLY PUMP complete

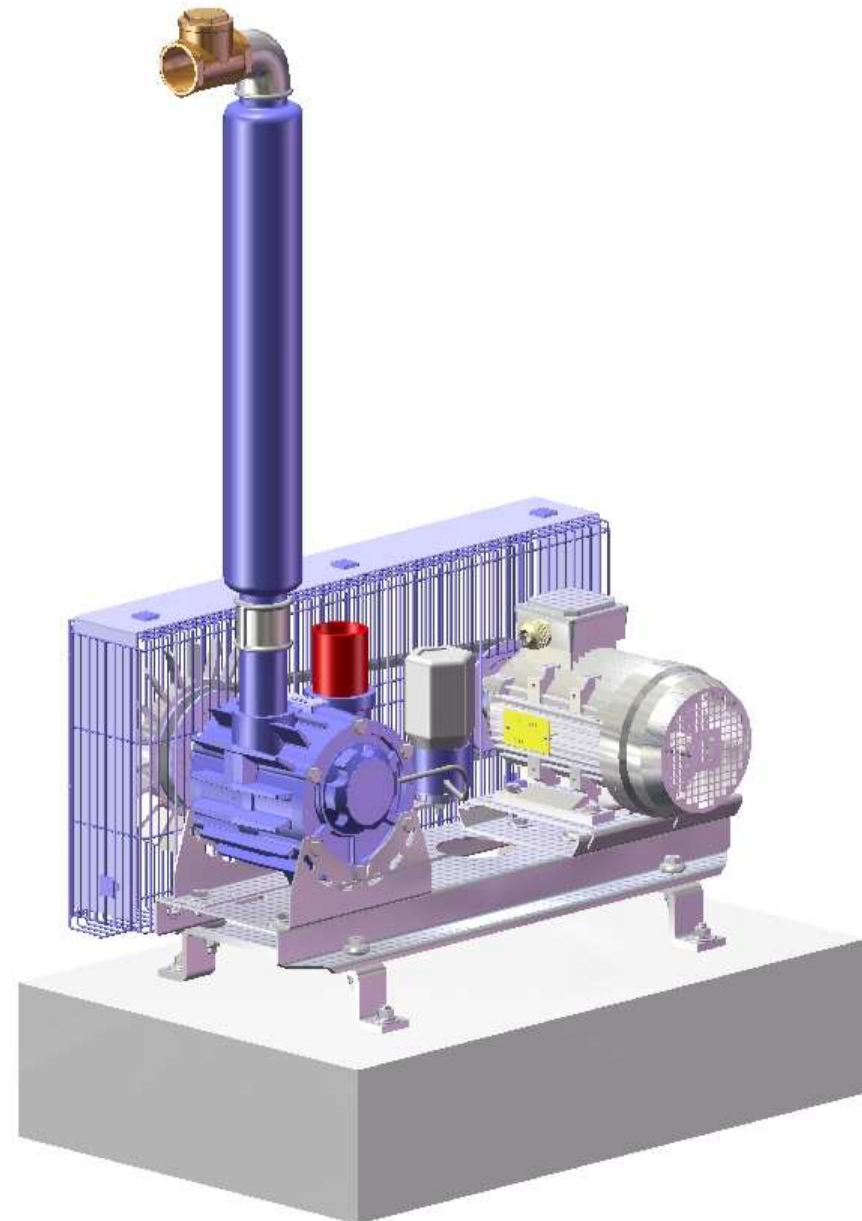
G.P.V.1500 ON BRACKET

- With motor Hp 4 - 380V - nl/min 1300

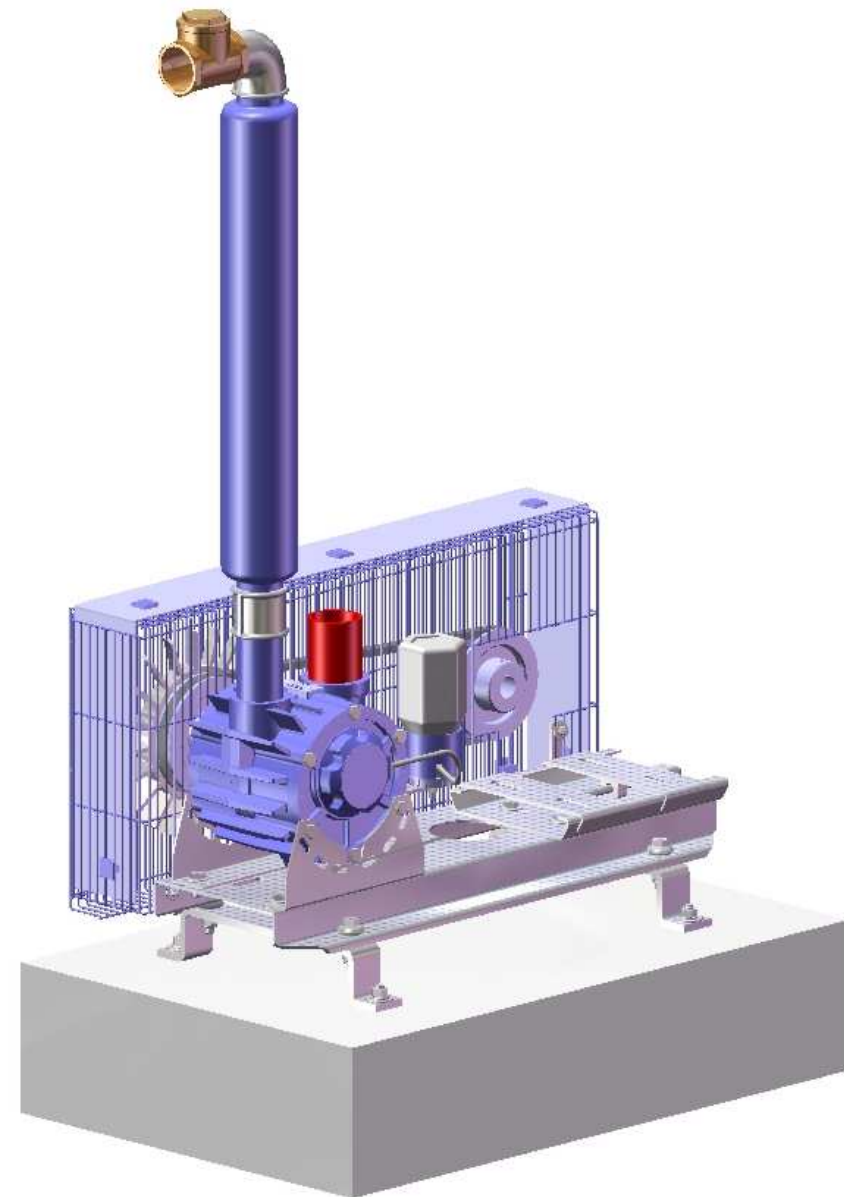
[Cod.1000022]

- With motor Hp 5.5 - 380V - nl/min 1450

[Cod.1000021]



G.P.V.1500



[Cod.100023] G.P.V.1500 ON BRACKET without el.motor

G.P.V.1500 ON TANK Lt.65

- With motor Hp 4 - 380V - nl/min 1300

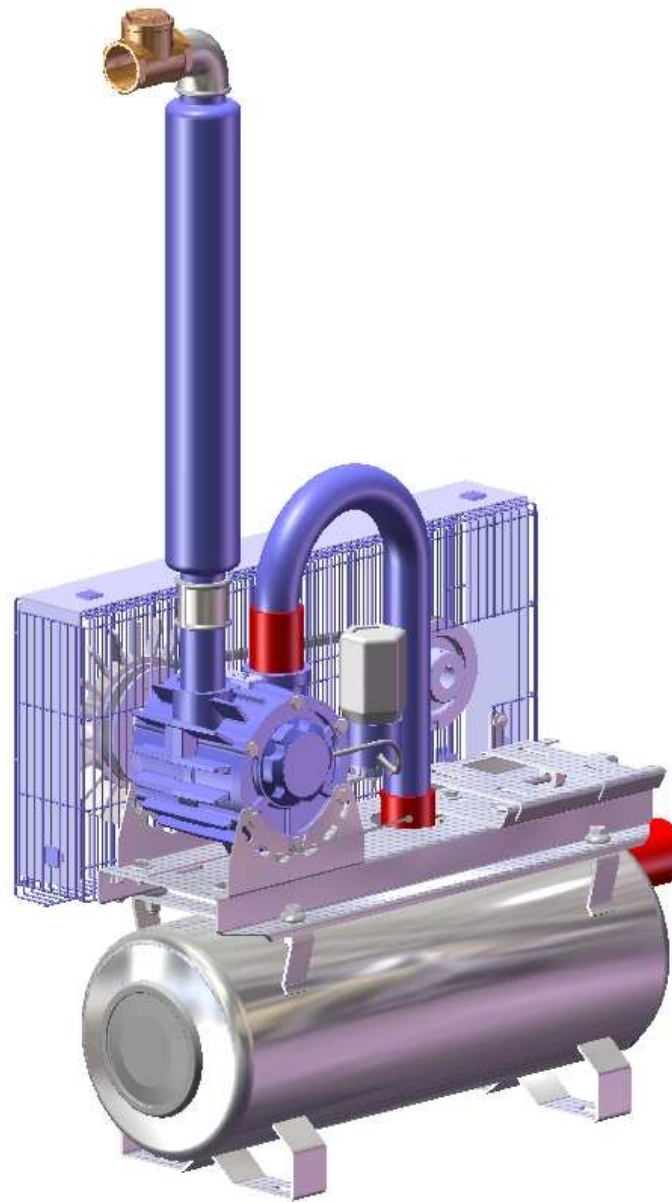
[Cod.1000025]

- With motor Hp 5.5 - 380V - nl/min 1450

[Cod.1000024]



G.P.V.1500



**adiprene sleeves outlet tank:
2" - 63 mm**

[Cod.100026] G.P.V.1500 ON TANK Lt.65 - without el.motor

G.P.V.1500 ON TANK Lt.85

- With motor Hp 4 - 380V - nl/min 1300

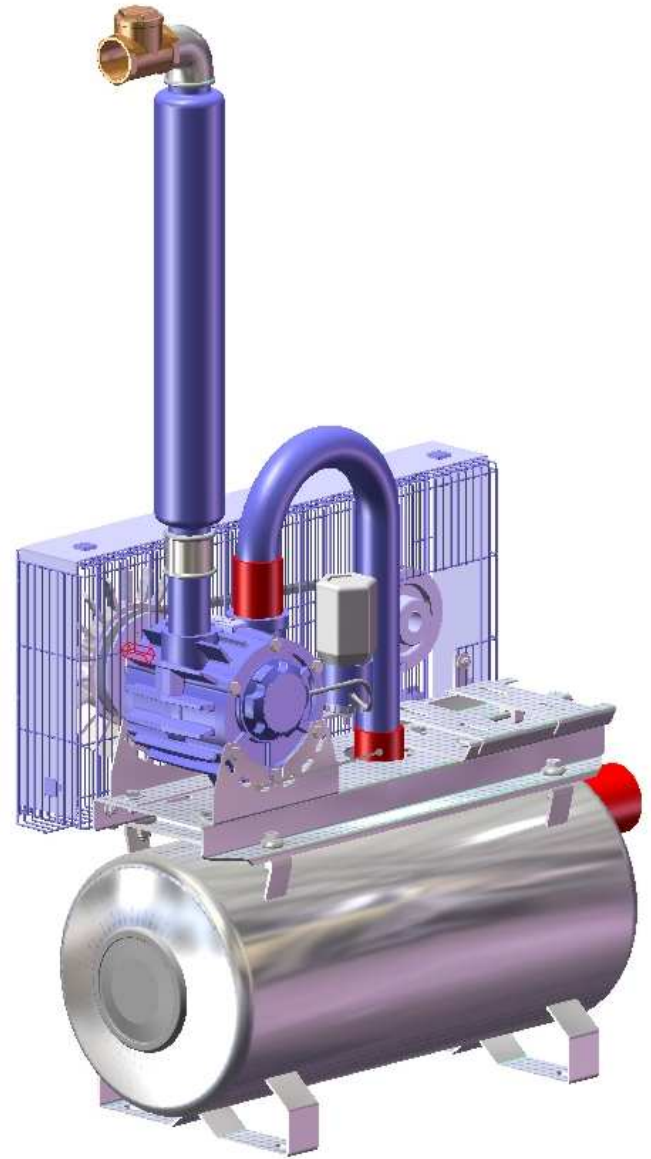
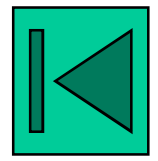
[Cod.1000028]

- With motor Hp 5.5 - 380V - nl/min 1450

[Cod.1000027]



G.P.V.1500



[Cod.100029] G.P.V.1500 ON TANK Lt.85 - without el.motor

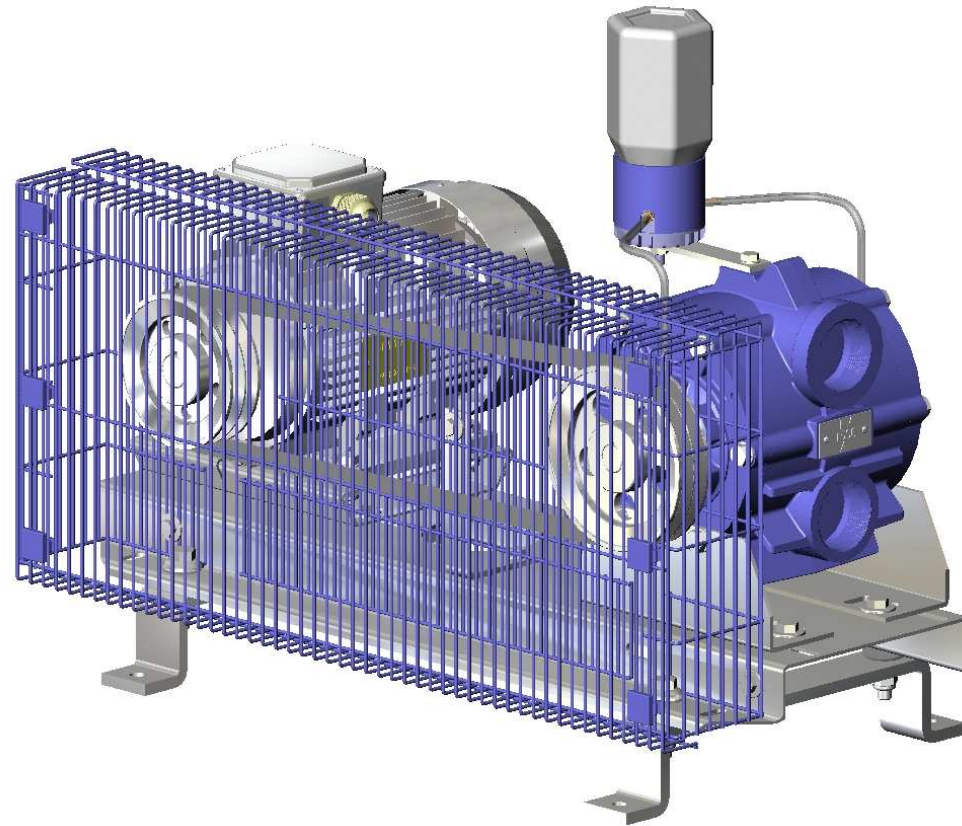
P.V.1500 AL



Exit/Entry 2" Gas

[Cod.1000200] G.P.V.1500 AL ONLY with PULLEY 160 2A and Capillary Oiler

G.P.V.1500 AL ON BRACKET with Capillary Oiler



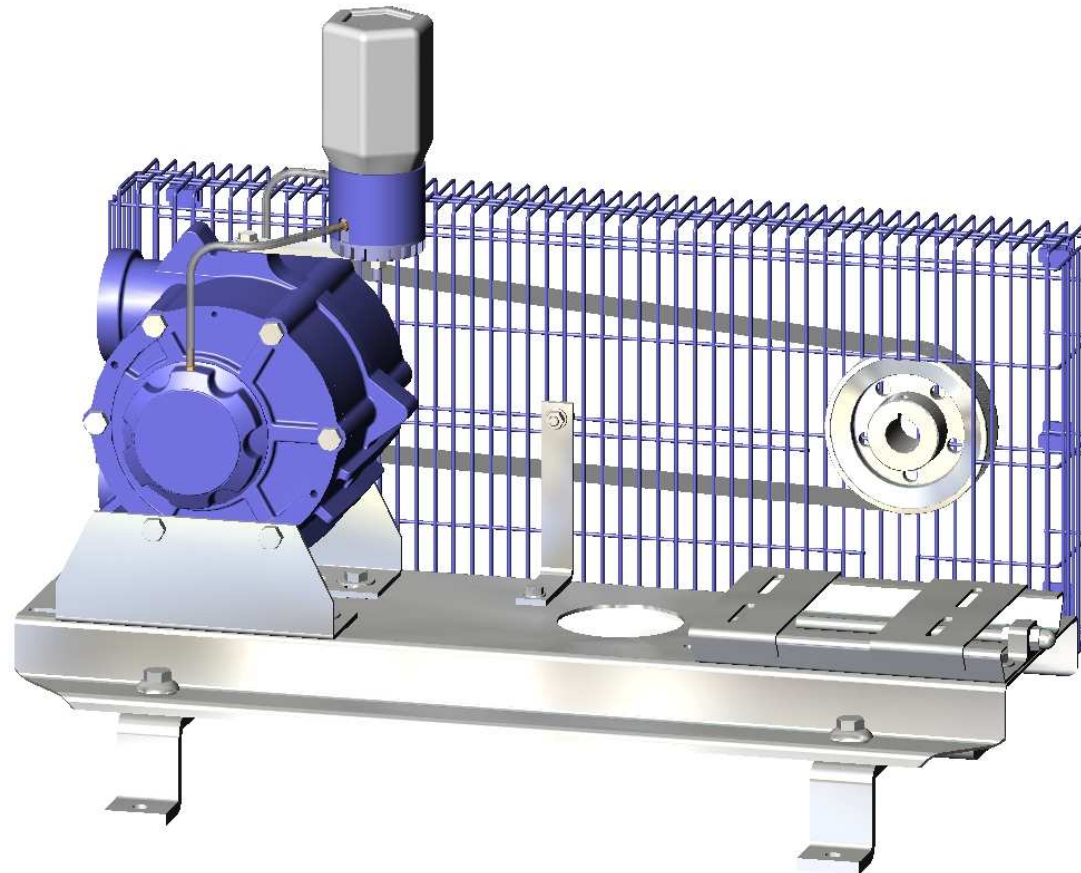
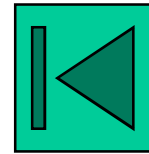
- With motor Hp 4 - 380V - nl/min 1300

[Cod.1000206]

- With motor Hp 5.5 - 380V - nl/min 1450

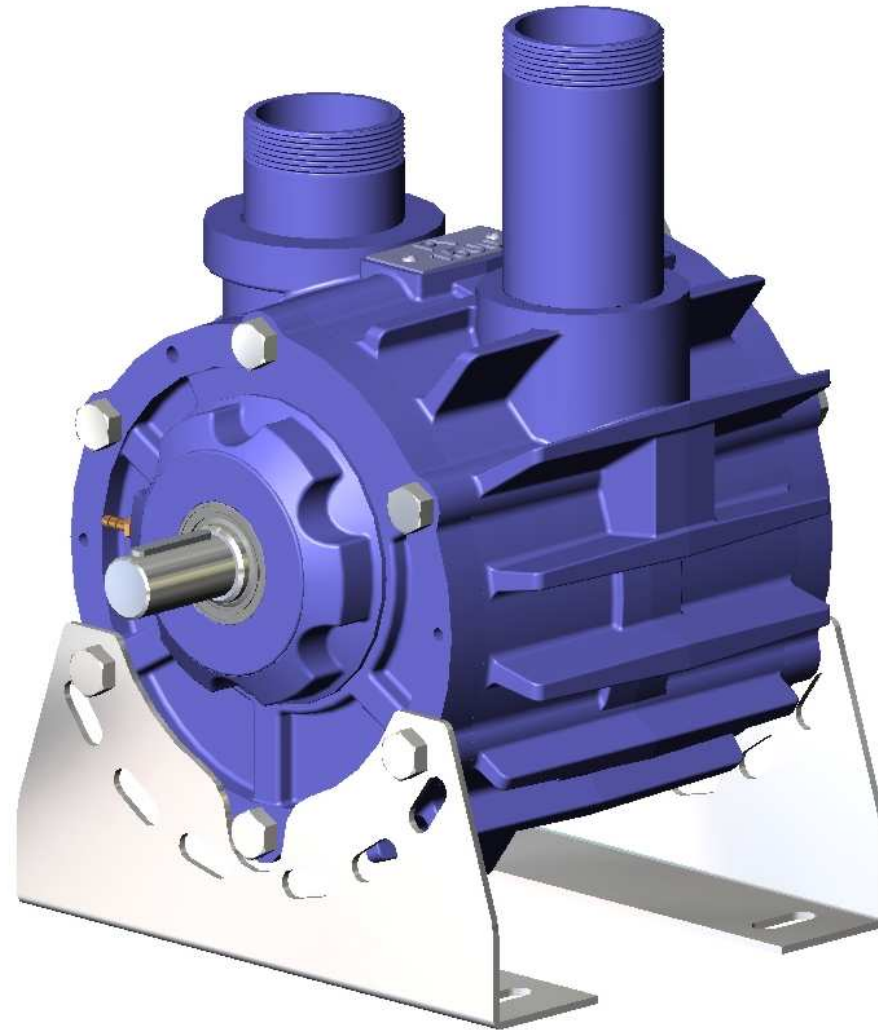
[Cod.1000205]

G.P.V.1500 AL



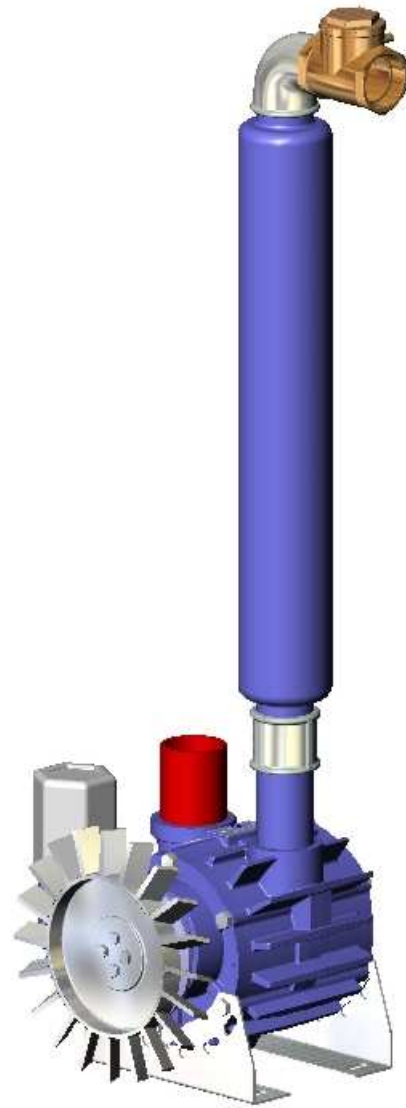
[Cod.1000207] G.P.V.1500 AL ON BRACKET without el.motor with Capillary Oiler

P.V.1000 whit nipples for capillary system



[Cod.1001030] P.V.1000 ONLY PUMP naked + [Cod.5000107.00] Nipples 14X27 INN.Ø5

P.V.1000



[Cod.1000030] P.V.1000 ONLY PUMP complete

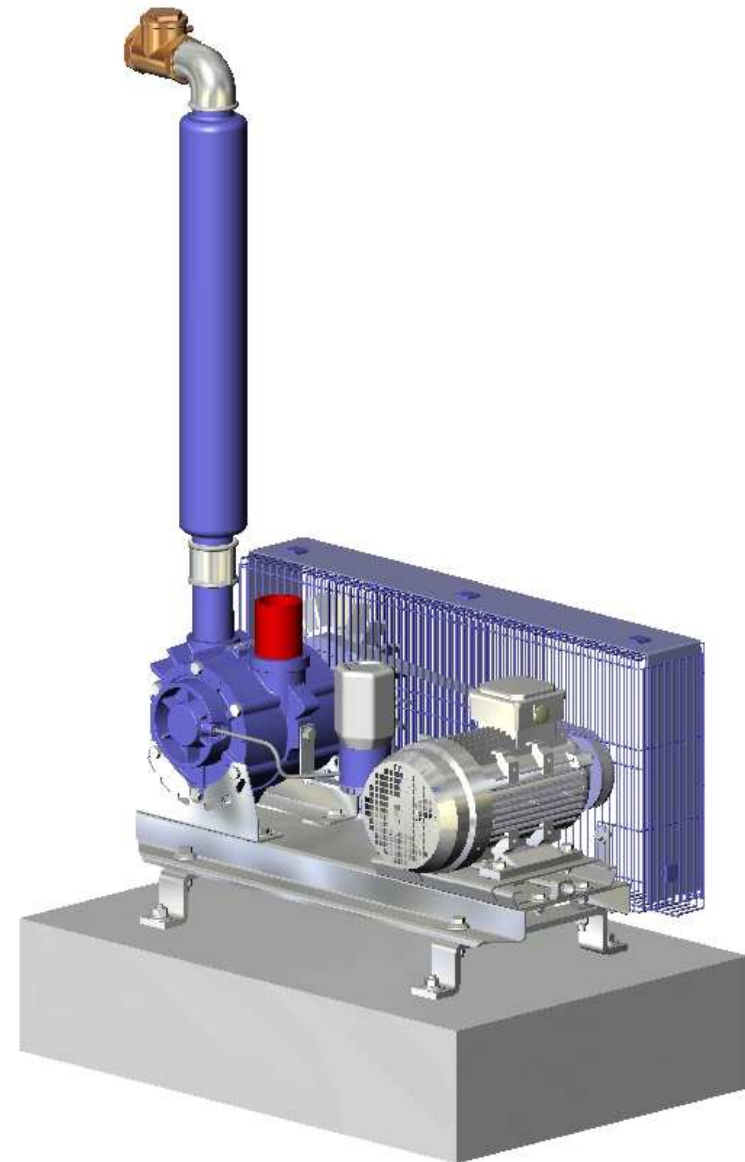
G.P.V.1000 ON BRACKET

- With motor Hp 3 - 380V - nl/min 900

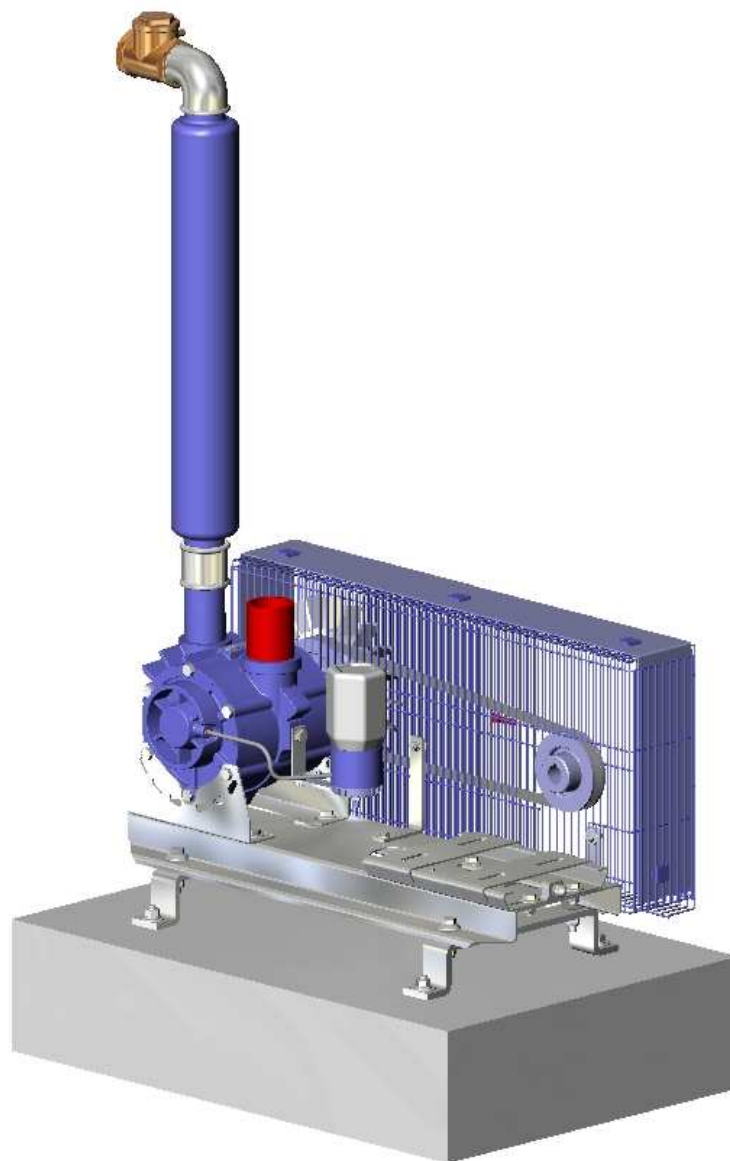
[Cod.1000032]

- With motor Hp 4 - 380V - nl/min 1000

[Cod.1000031]



G.P.V.1000



[Cod.100033] G.P.V.1000 ON BRACKET without el.motor

G.P.V.1000 ON TANK Lt.65

- With motor Hp 3 - 380V - nl/min 900

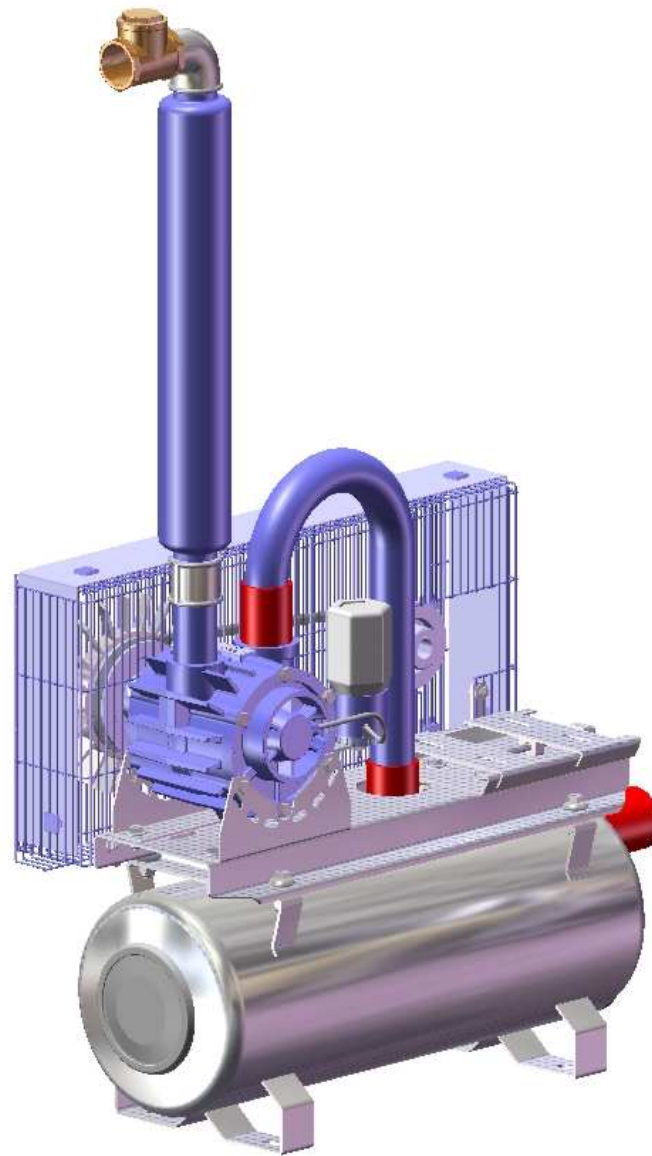
[Cod.1000035]

- With motor Hp 4 - 380V - nl/min 1000

[Cod.1000034]



G.P.V.1000



[Cod.1000036] G.P.V.1000 ON TANK Lt.65 - without el.motor

G.P.V.1000 ON TANK Lt.85

- With motor Hp 3 - 380V - nl/min 900

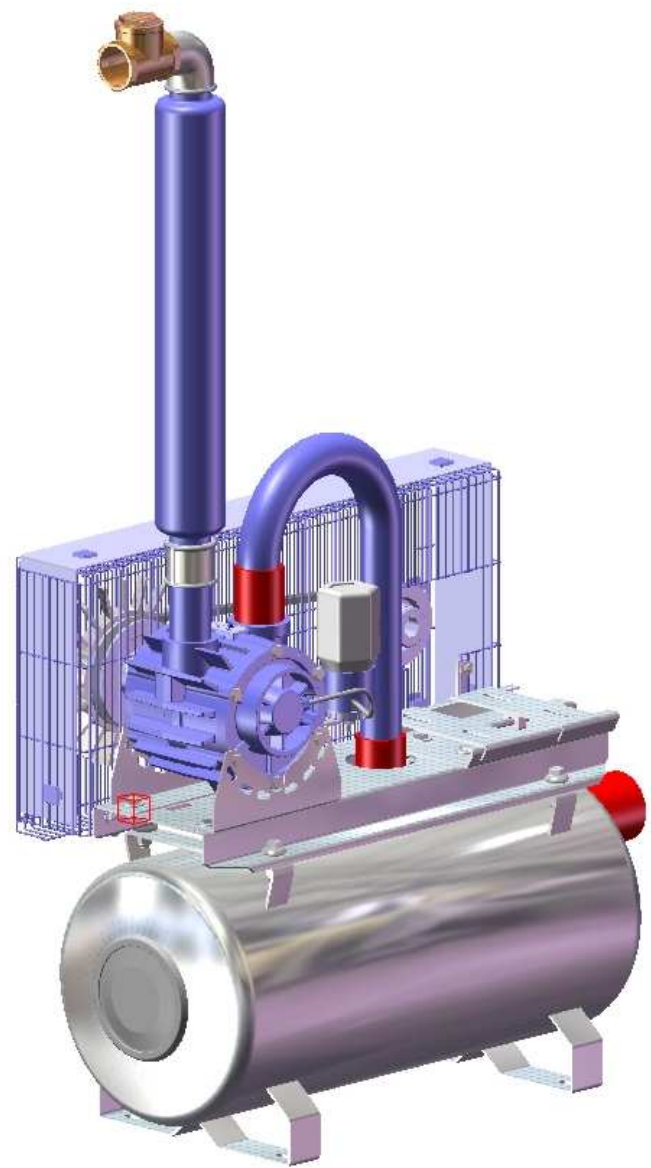
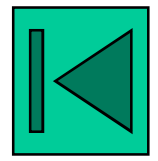
[Cod.1000038]

- With motor Hp 4 - 380V - nl/min 1000

[Cod.1000037]



G.P.V.1000



[Cod.100039] G.P.V.1000 ON TANK Lt.85 - without el.motor

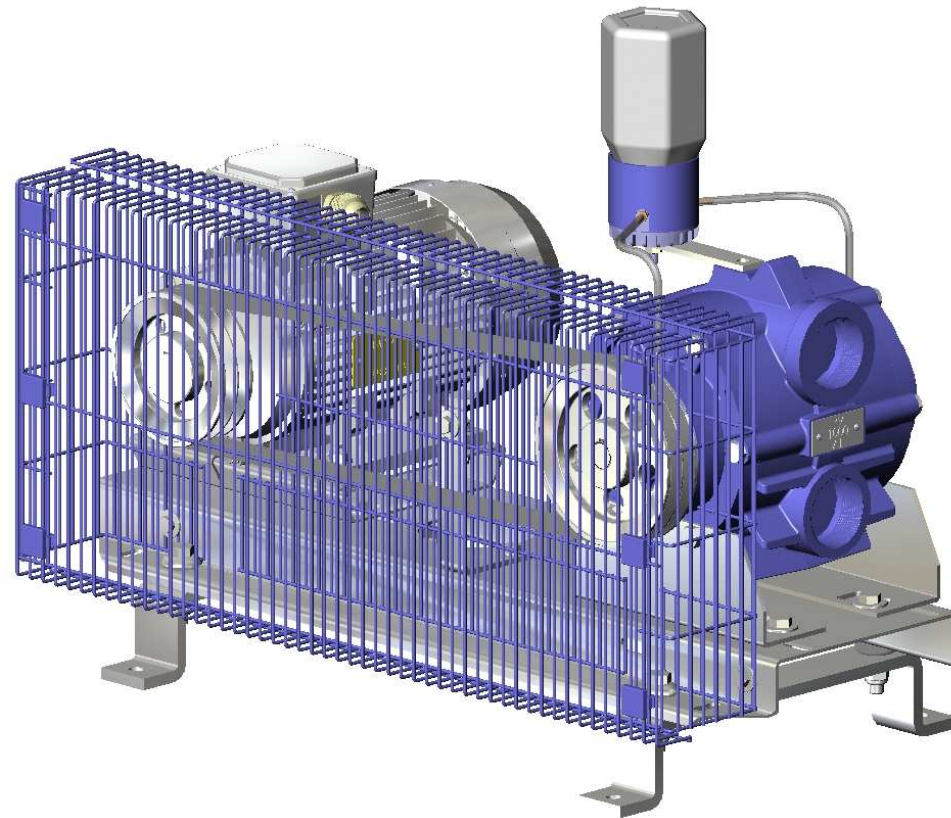
P.V.1000 AL



Exit/Entry 2" Gas

[Cod.1000201] G.P.V.1000 AL ONLY with PULLEY 140 2A and Capillary Oiler

G.P.V.1000 AL ON BRACKET with Capillary Oiler



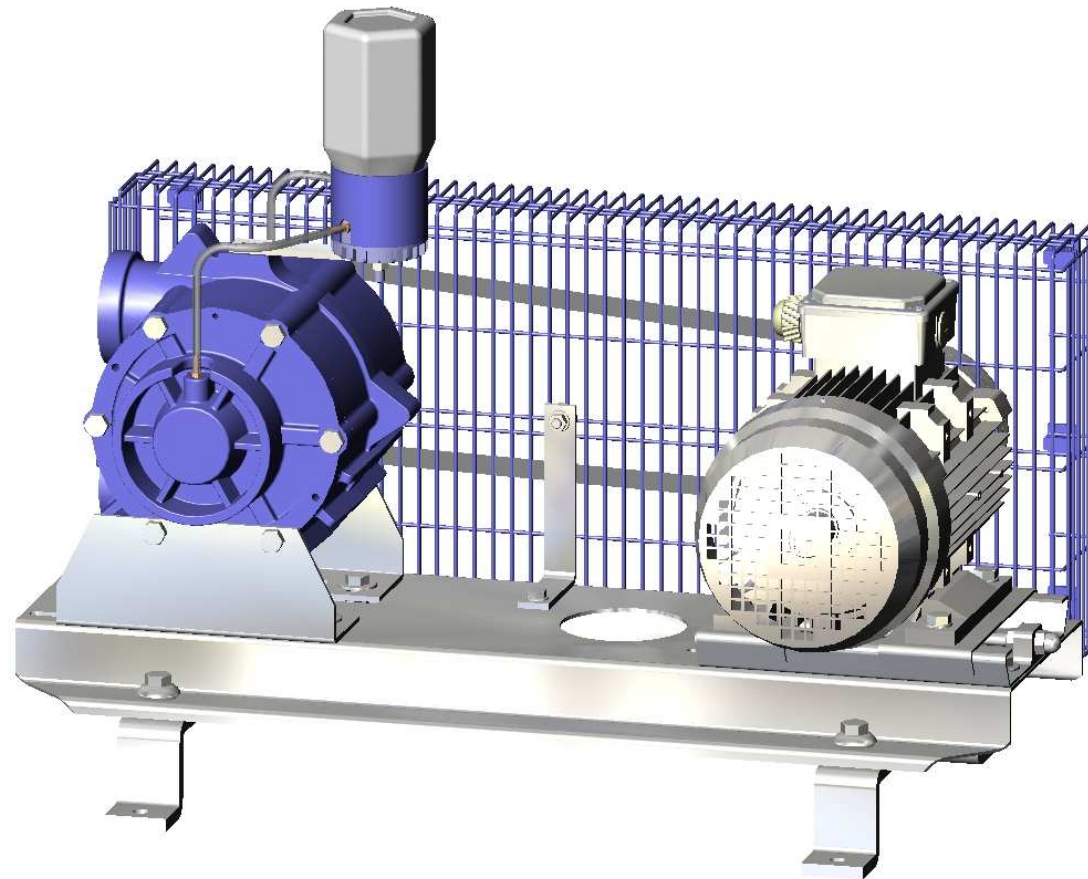
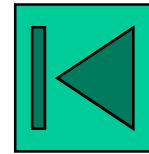
- With motor Hp 3 - 380V - nl/min 900

[Cod.1000202]

- With motor Hp 4 - 380V - nl/min 1000

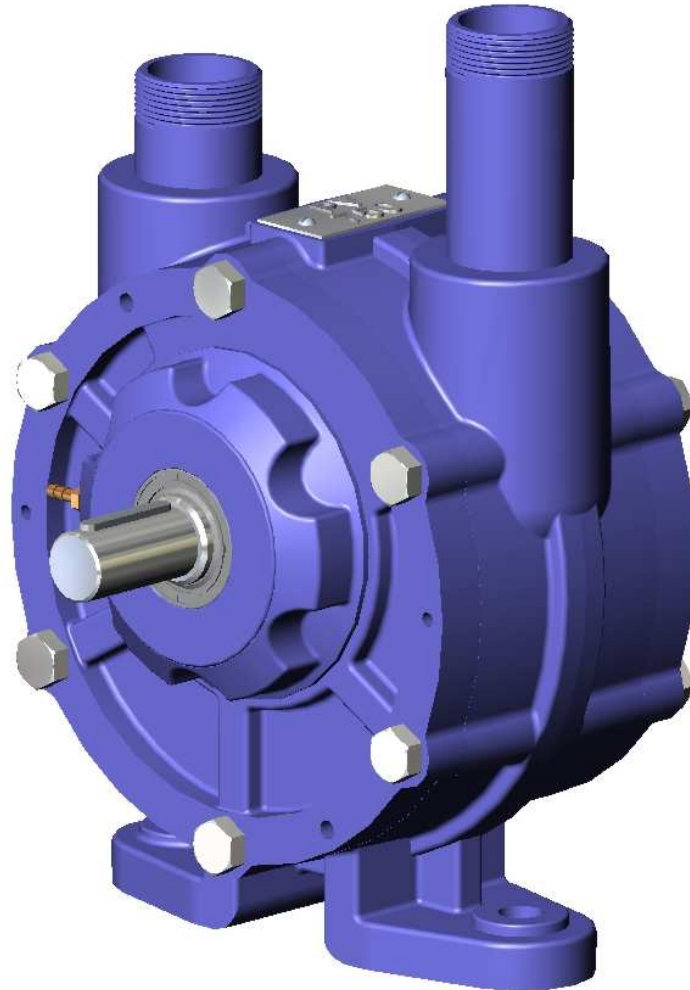
[Cod.1000204]

G.P.V.1000 AL



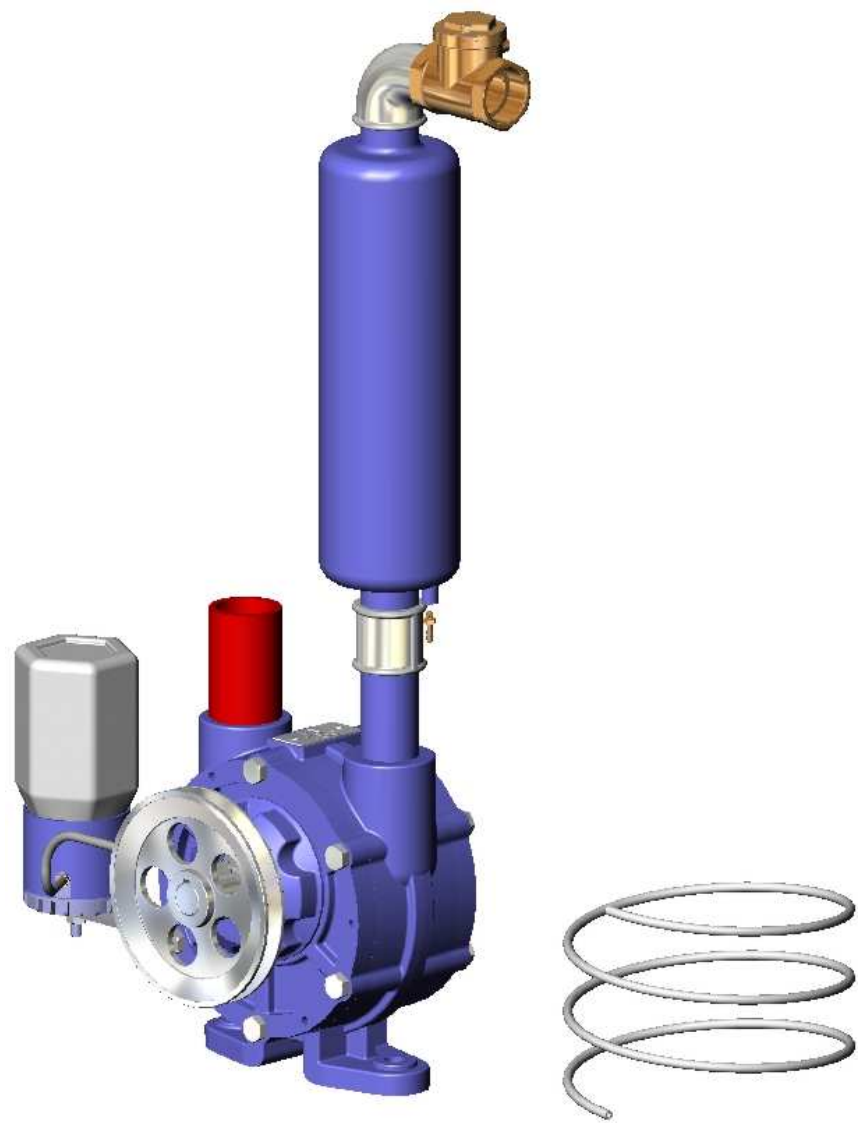
[Cod.1000203] G.P.V.1000 AL ON BRACKET without el.motor with Capillary Oiler

P.V.750 whit nipples for capillary system



[Cod.1001040] P.V.750 ONLY PUMP naked + [Cod.5000107.00] Nipples 14X27 INN.Ø5

P.V.750



[Cod.100040] P.V.750 ONLY PUMP complete

G.P.V.750 ON BRACKET

- With motor Hp 2 - 380V - nl/min 600

[Cod.1000042]

- With motor Hp 2 - 220V - nl/min 600

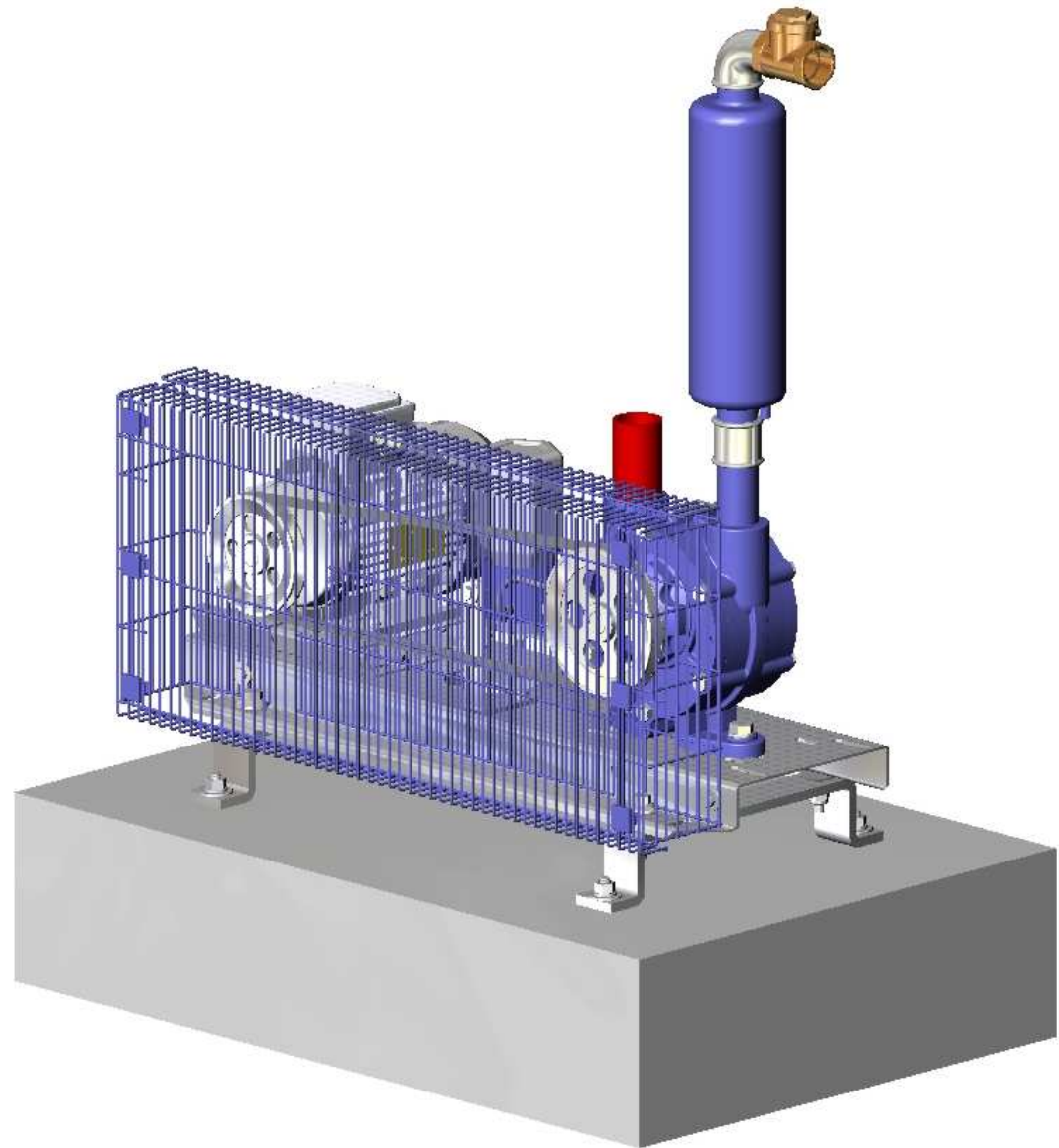
[Cod.1100042]

- With motor Hp 3 - 380V - nl/min 750

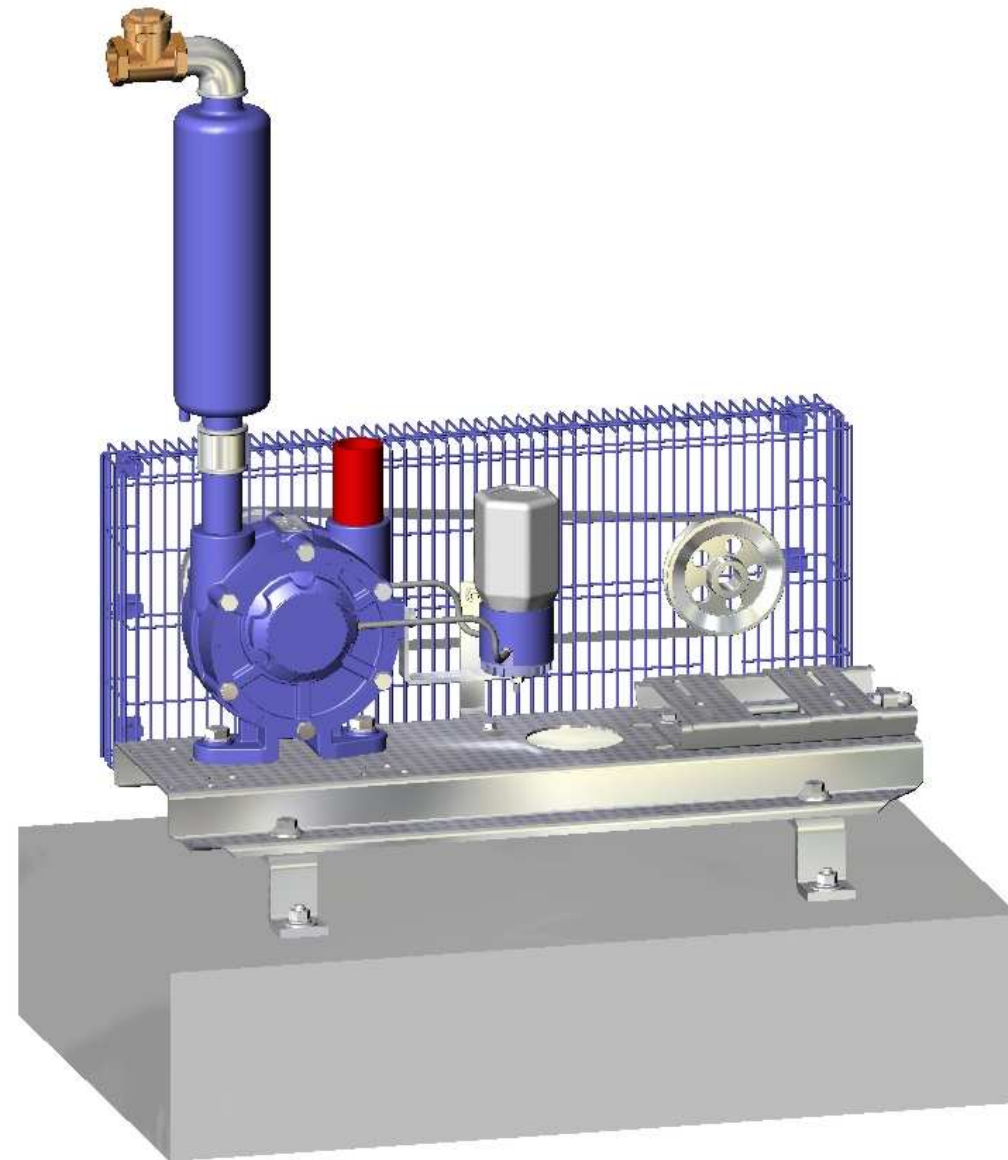
[Cod.1000043]

- With motor Hp 3 - 220V - nl/min 750

[Cod.1100043]



G.P.V.750



[Cod.100043] G.P.V.750 ON BRACKET without el.motor

G.P.V.750 ON TANK Lt.65

- With motor Hp 2 - 380V - nl/min 600

[Cod.1000045]

- With motor Hp 2 - 220V - nl/min 600

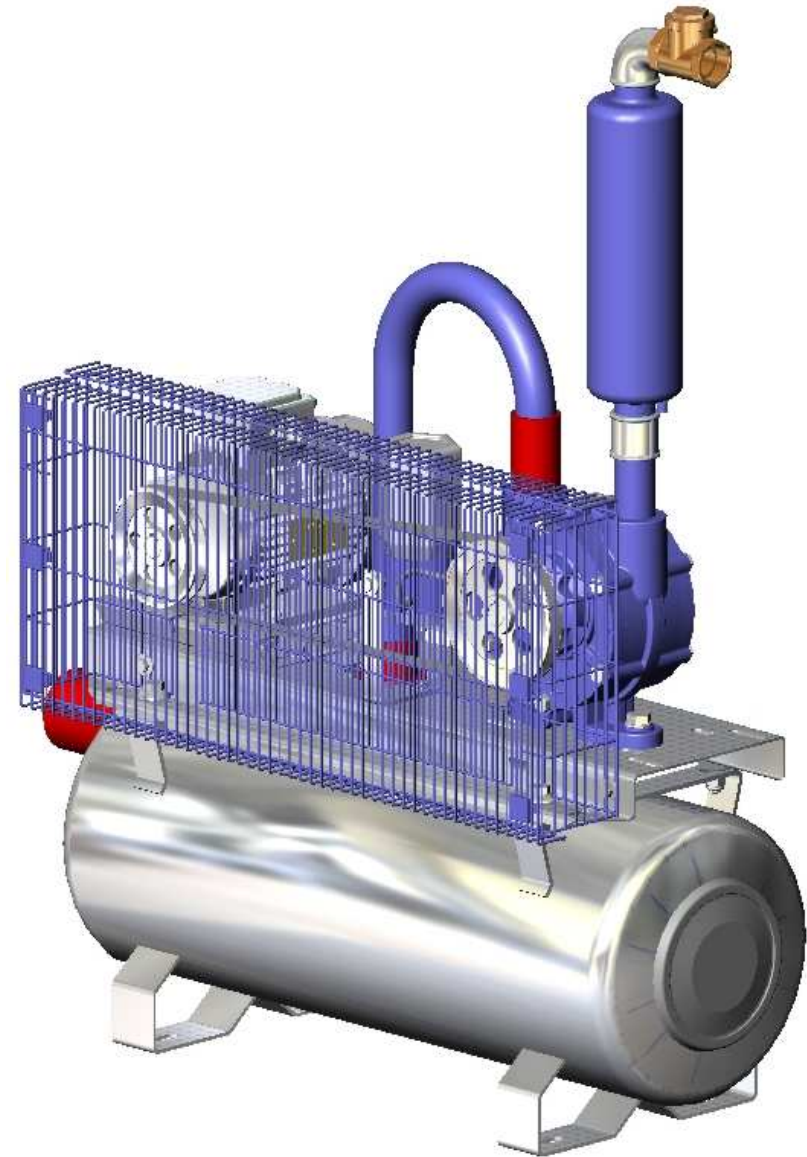
[Cod.1100045]

- With motor Hp 3 - 380V - nl/min 750

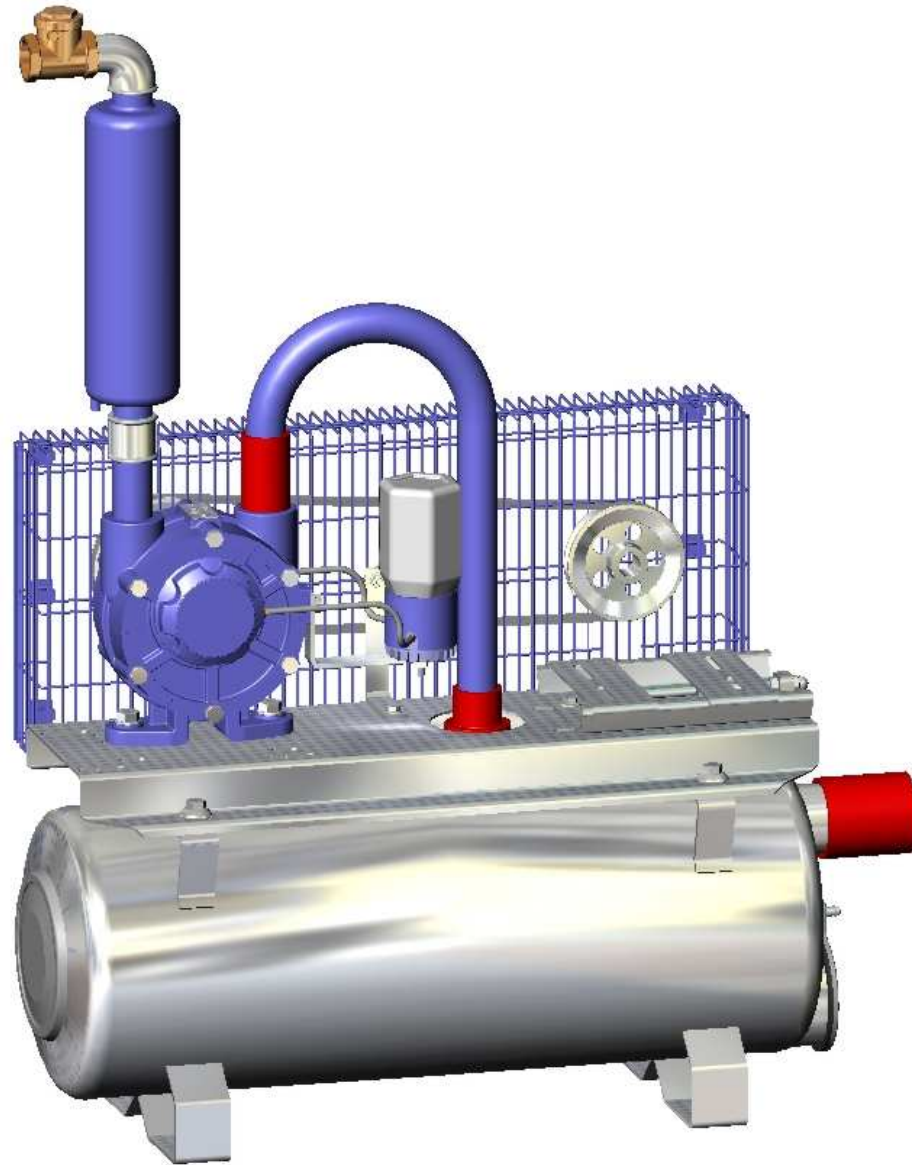
[Cod.1000044]

- With motor Hp 3 - 220V - nl/min 750

[Cod.1100044]



G.P.V.750



[Cod.100046] G.P.V.750 ON TANK Lt.65 without el.motor

G.P.V.750 ON TANK Lt.28

- With motor Hp 2 - 380V - nl/min 600

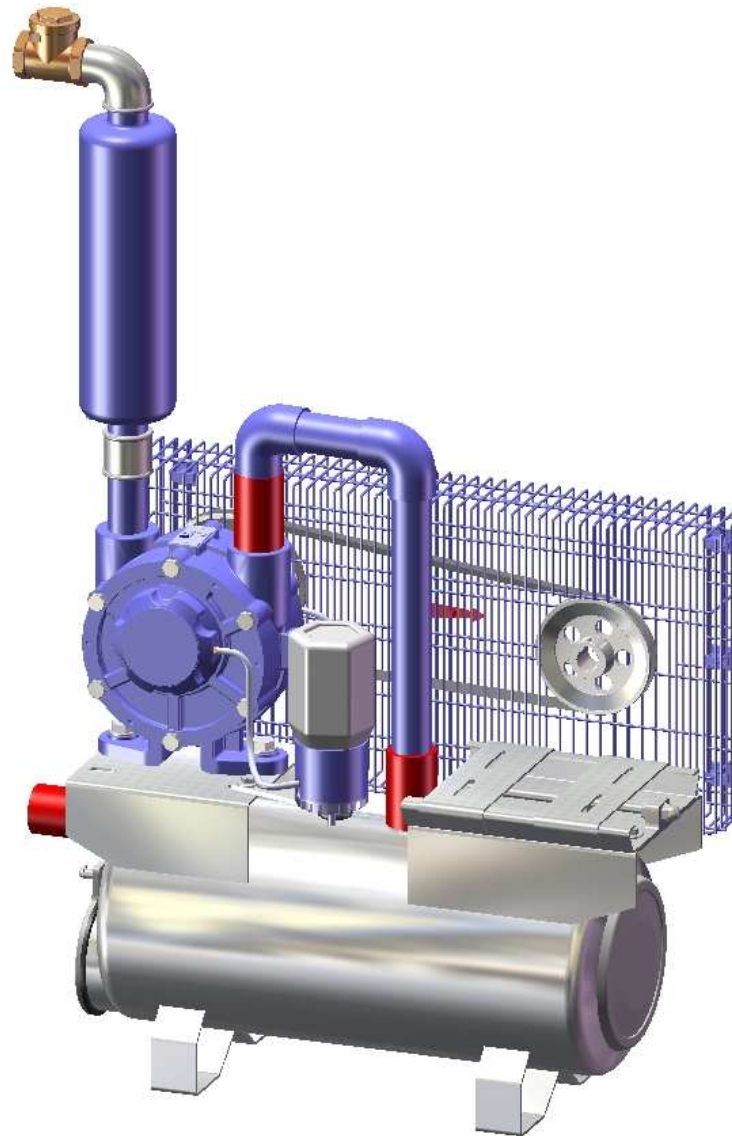
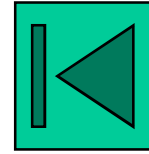
[Cod.1000047]

- With motor Hp 2 - 220V - nl/min 600

[Cod.1100047]

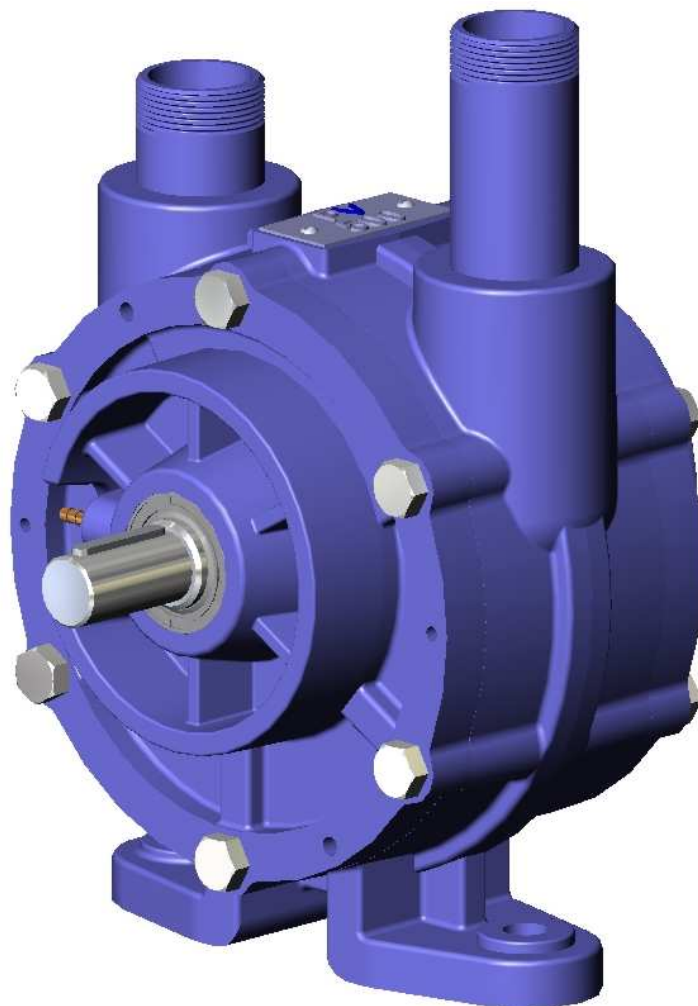


G.P.V.750



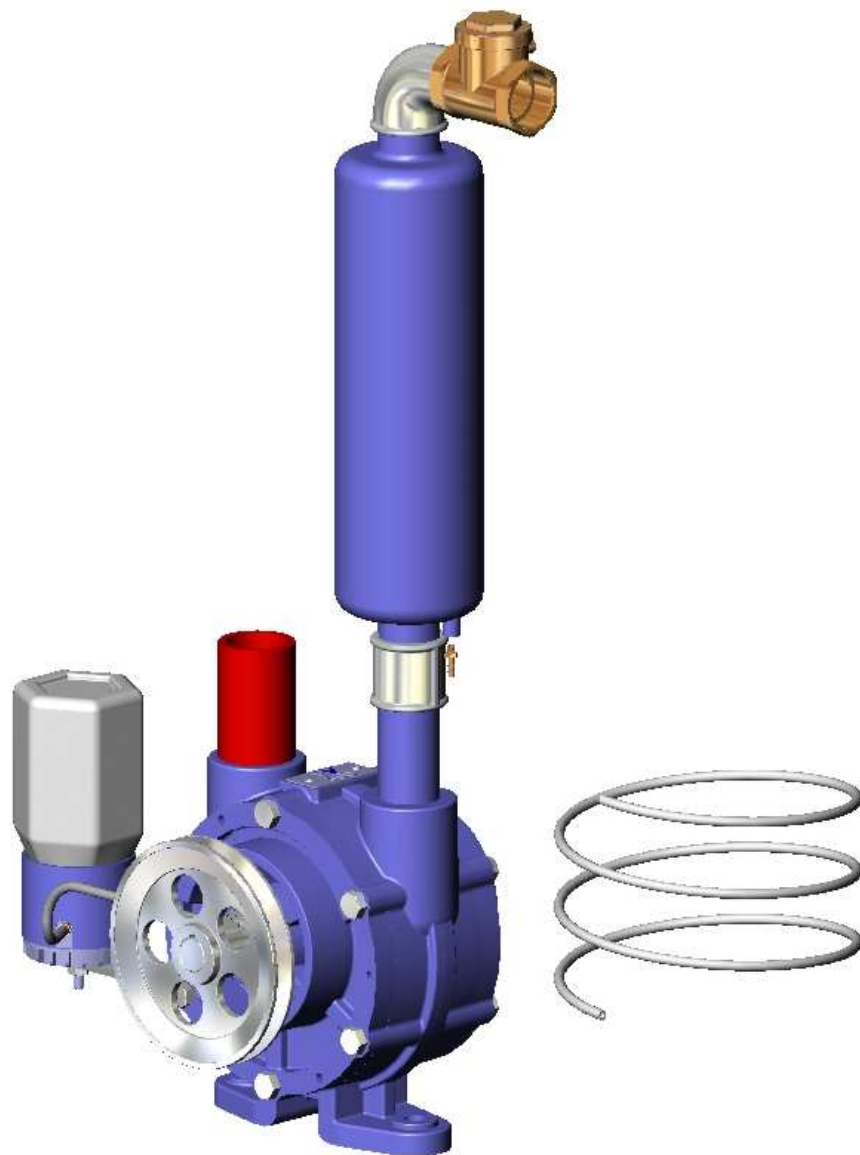
[Cod.100048] G.P.V.750 ON TANK Lt.28 without el.motor

PV 500 naked



code: 1001 050

PV 500 Complete



code: 1000 050

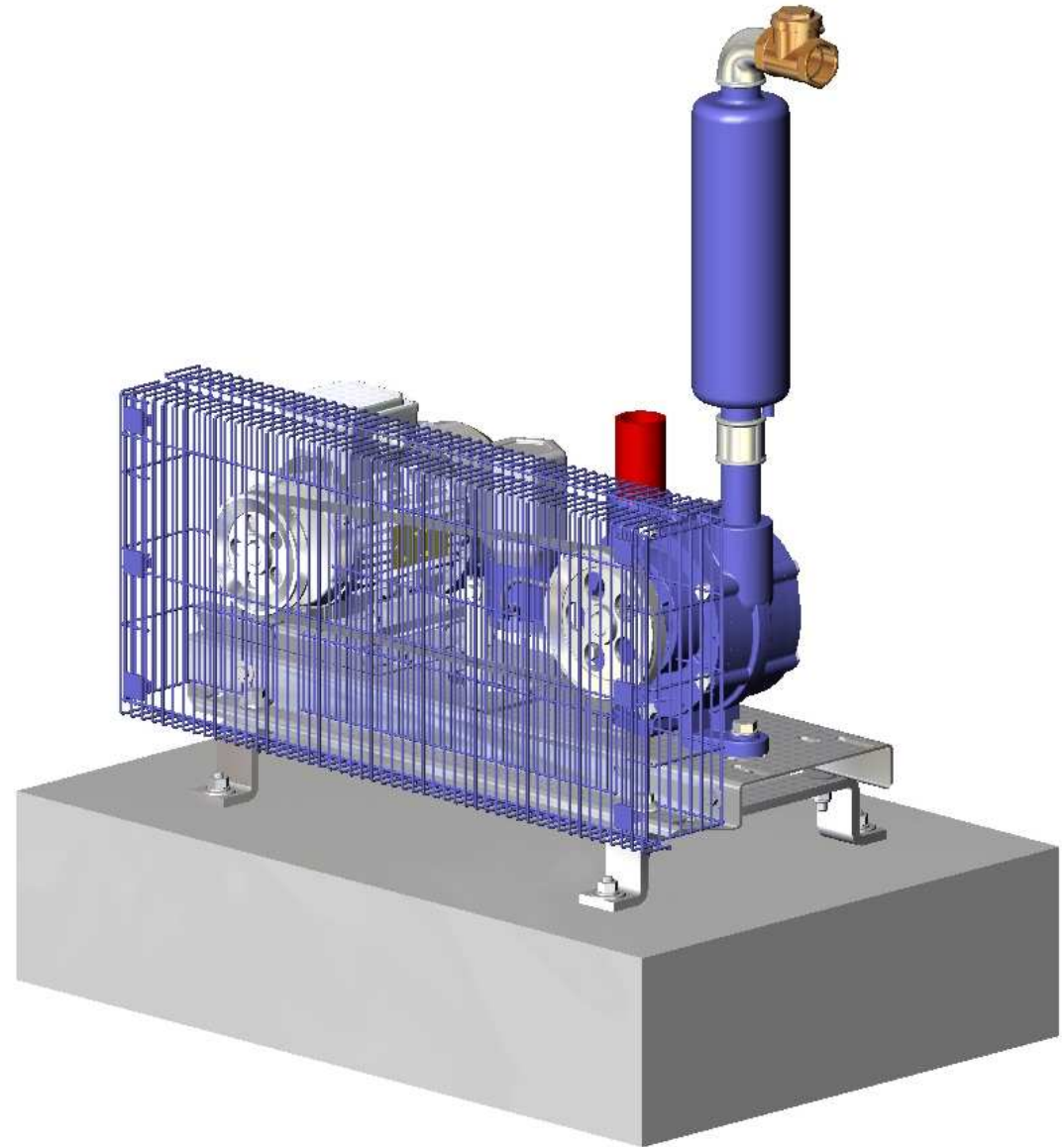
G.P.V.500 ON BRACKET

- With motor Hp 2 - 380V - nl/min 600

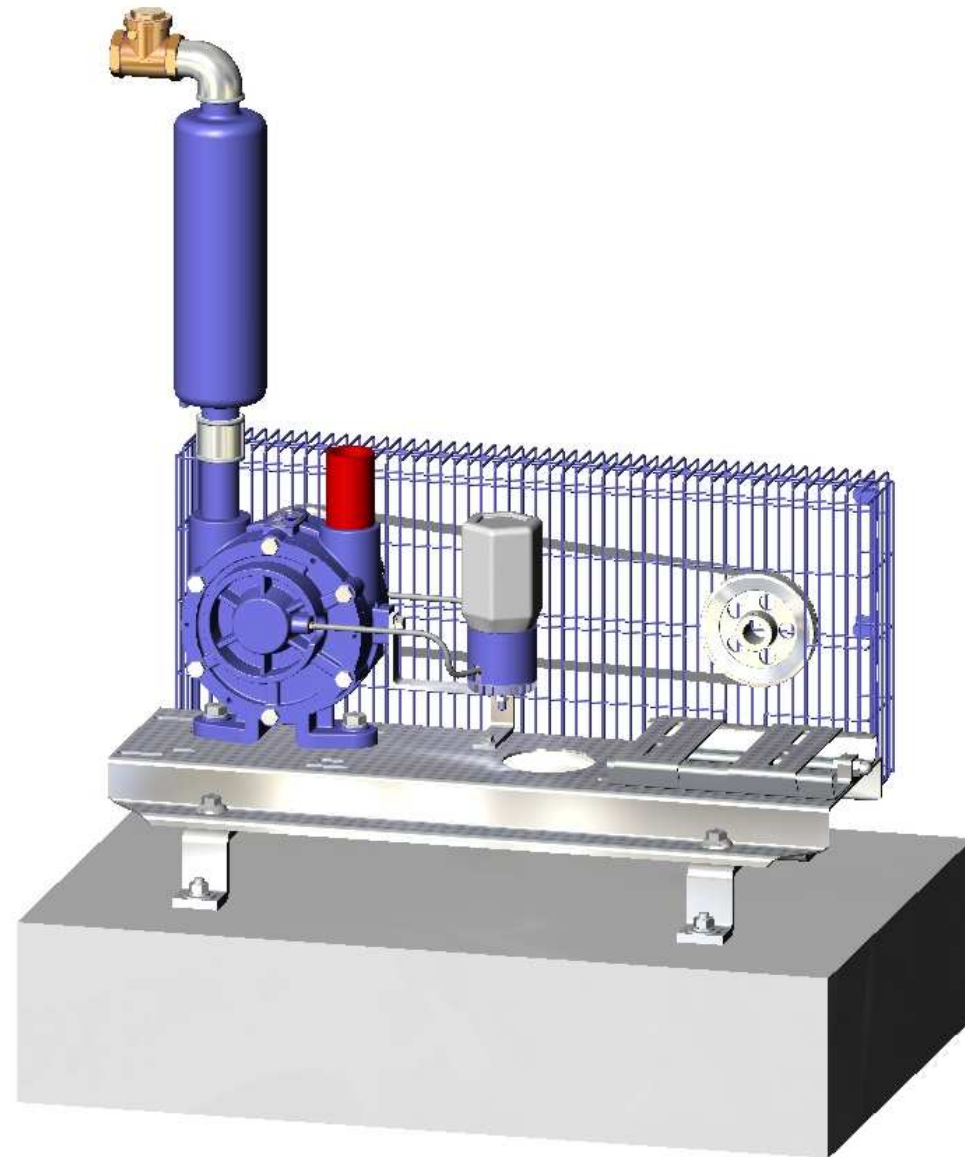
[Cod.1000051]

- With motor Hp 2 - 220V - nl/min 600

[Cod.1100051]



G.P.V.500



[Cod.100053] G.P.V.500 ON BRACKET without el.motor

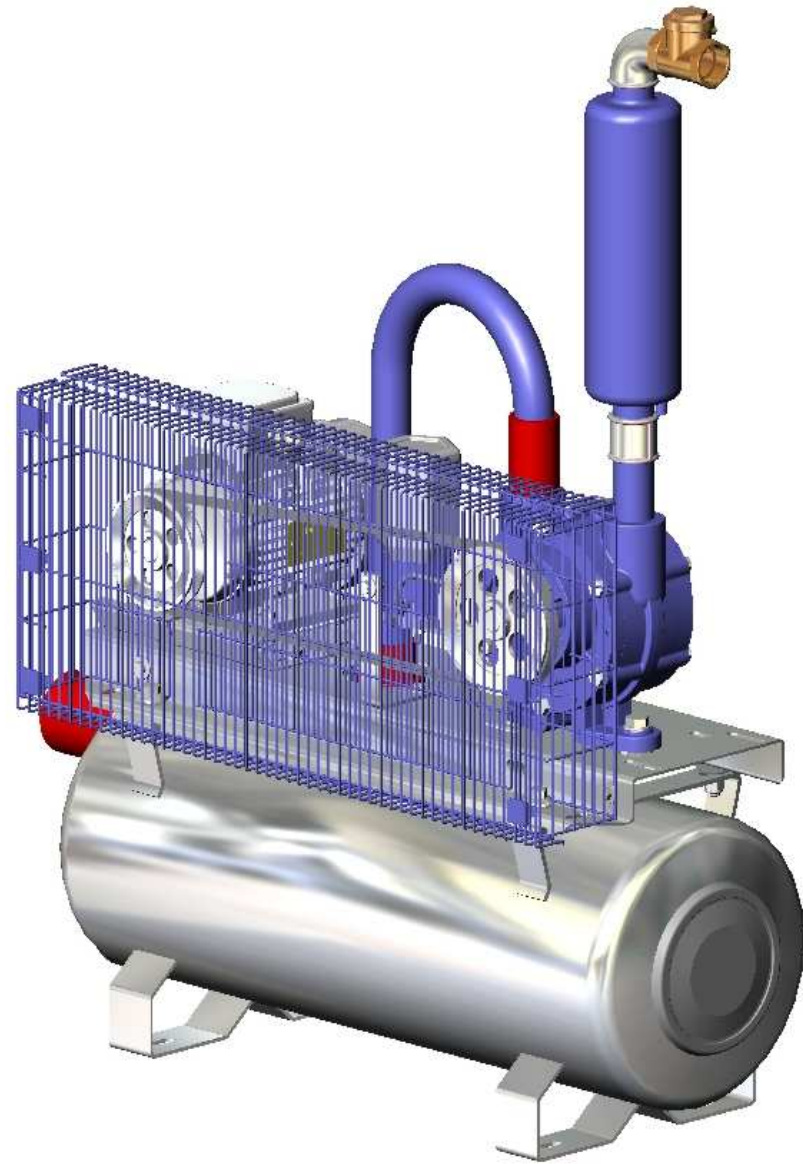
G.P.V.500 ON TANK Lt.65

- With motor Hp 2 - 380V - nl/min 600

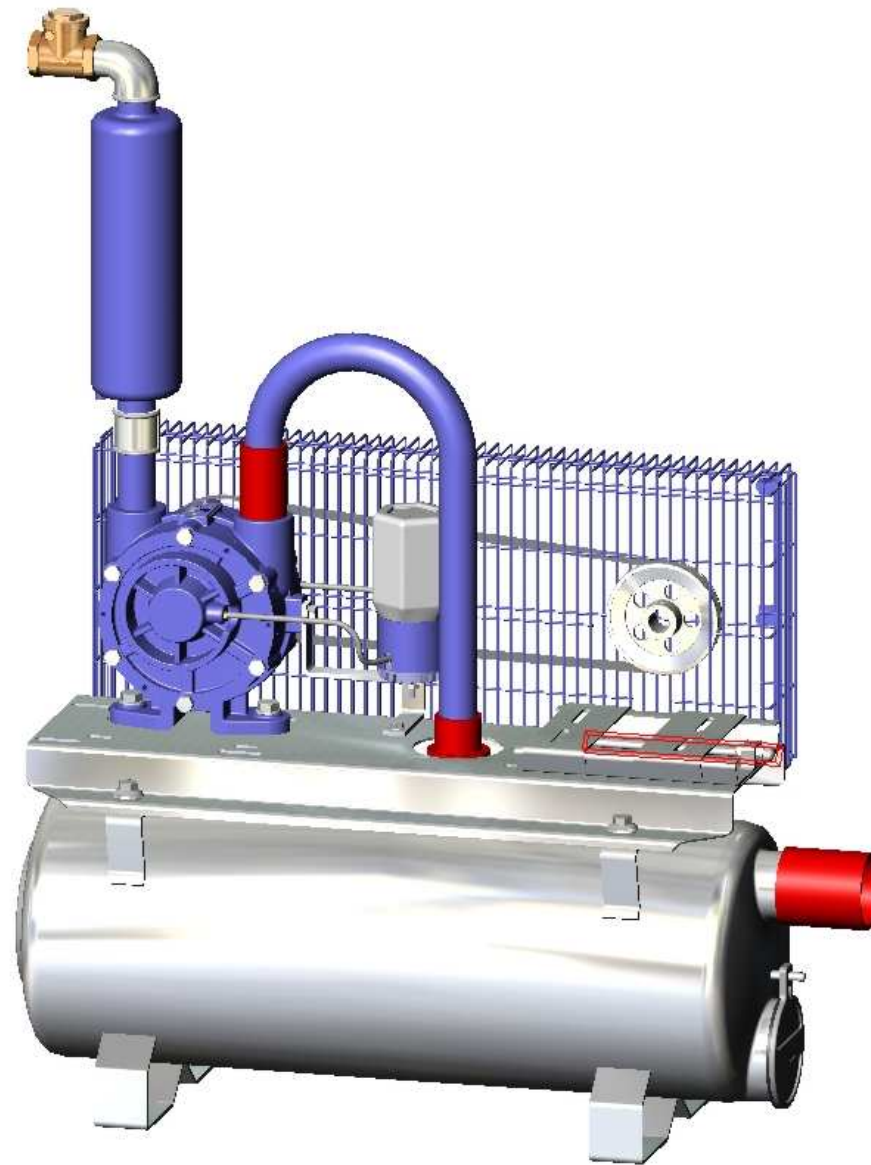
[Cod.1000054]

- With motor Hp 2 - 220V - nl/min 600

[Cod.1100054]



G.P.V.500



[Cod.100056] G.P.V.500 ON TANK Lt.65 without el.motor

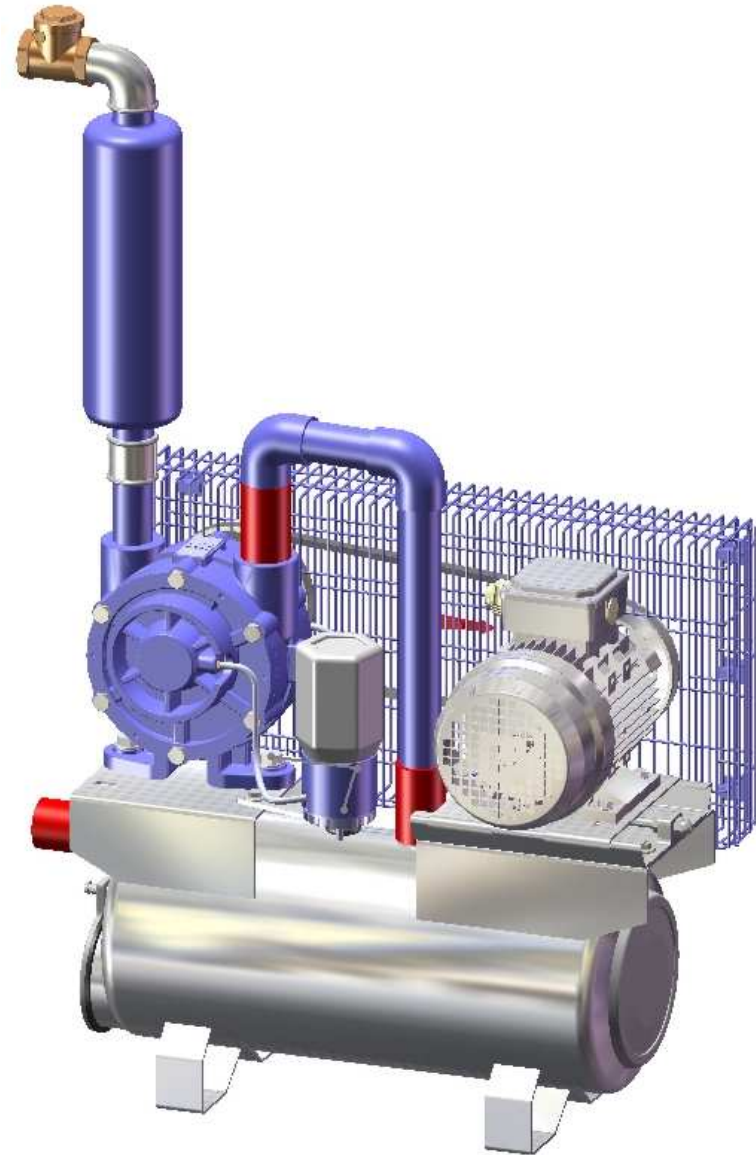
G.P.V.500 ON TANK Lt.28

- With motor Hp 2 - 380V - nl/min 600

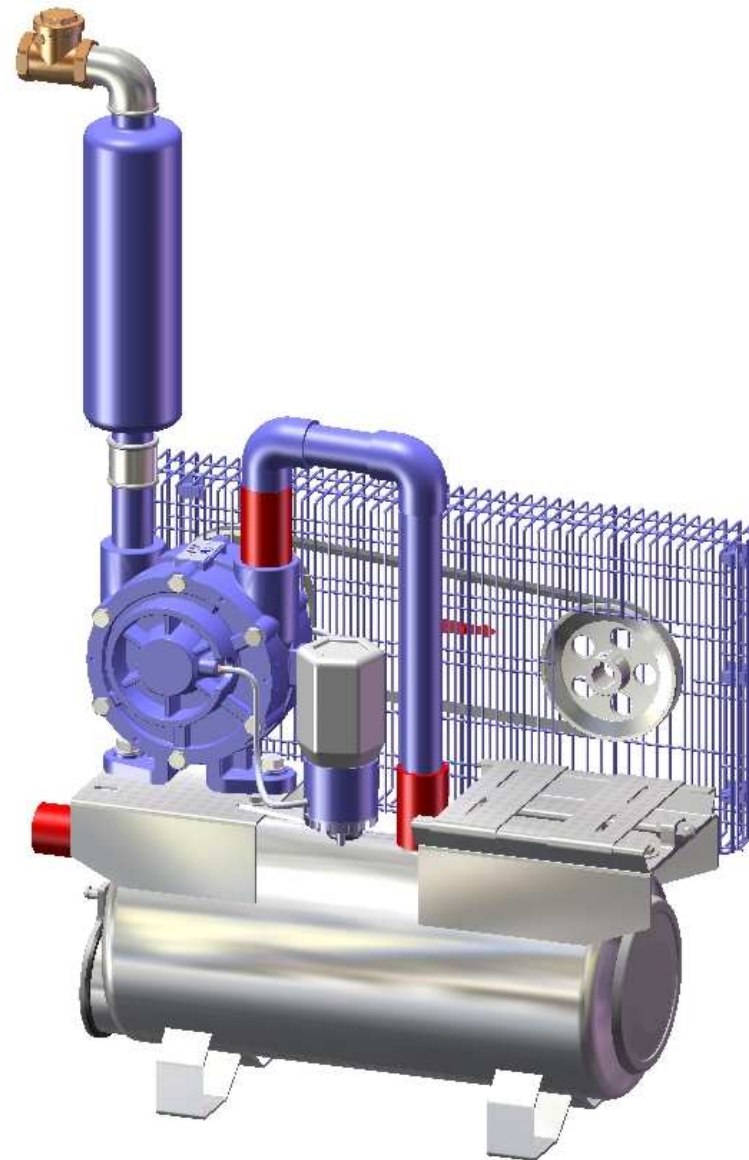
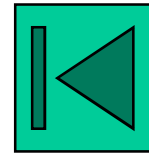
[Cod.1000055]

- With motor Hp 2 - 220V - nl/min 600

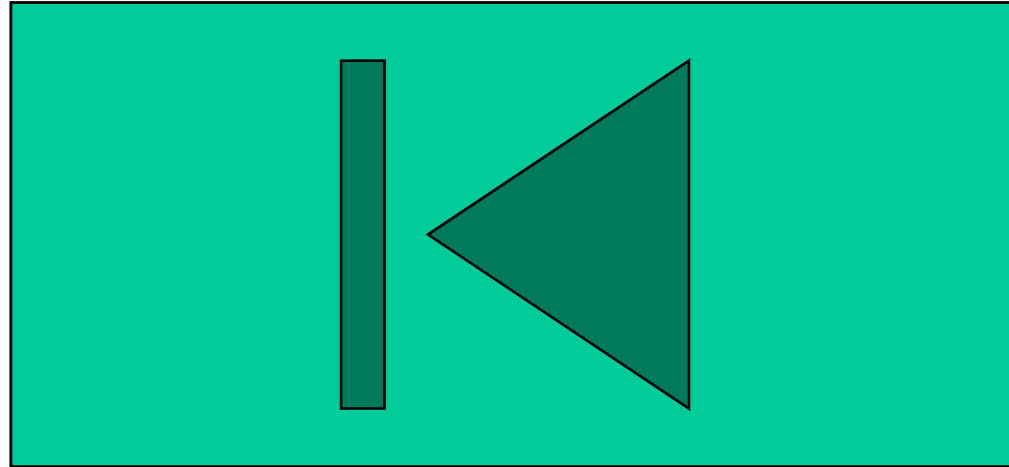
[Cod.1100055]



G.P.V.500



[Cod.100057] G.P.V.500 ON TANK Lt.28 without el.motor



www.ctamilk.com